

SHEERLINE® RAILING INSTRUCTIONS 3250/4500 SERIES

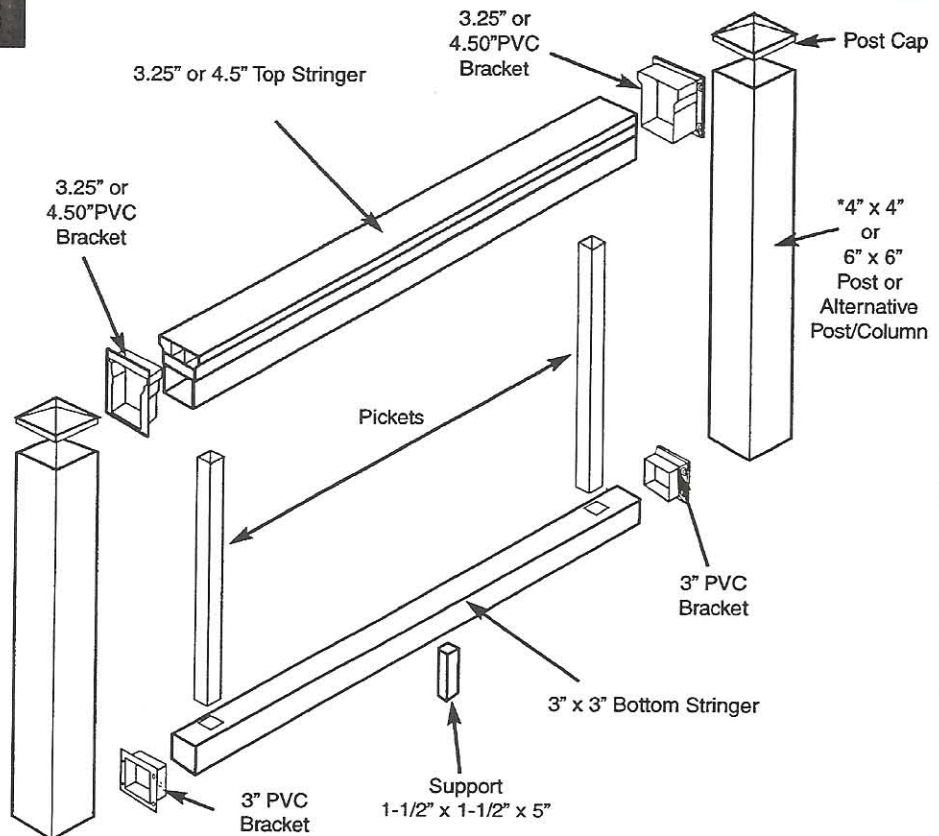
COMPONENTS

#8 x 1-1/2" Stainless Steel
Screws (Painted Head)

TOOLS REQUIRED:

- Tape Measure
- Screw Gun
- Square
- Chop Saw
- Hack Saw
- Level

* 4500 Series requires a
minimum size post or
column width of 6".

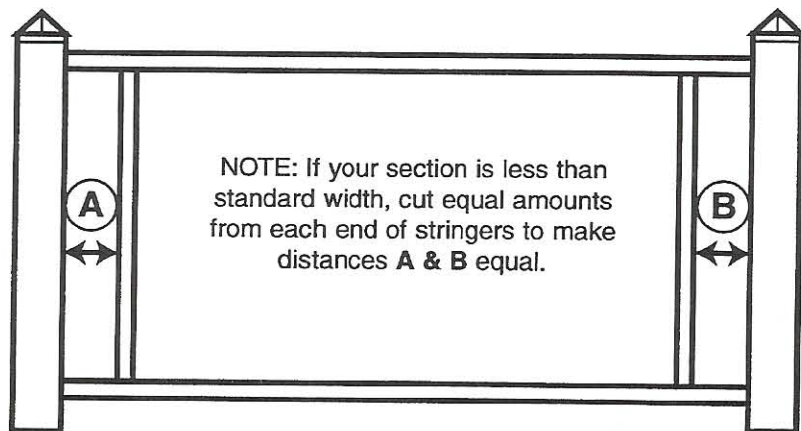


STEP 1

Mount support post (treated wood, aluminum surface mount, etc.) either 6', 8' or 10' apart. Post must be plumb.

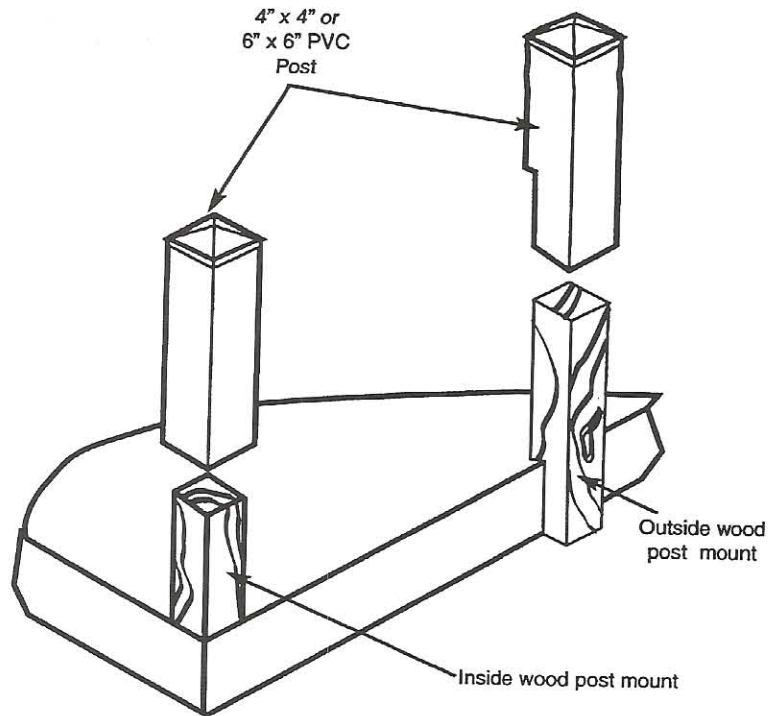
Height of posts above
floor level as follows:

36" Rail System --- 37"
42" Rail System --- 43"



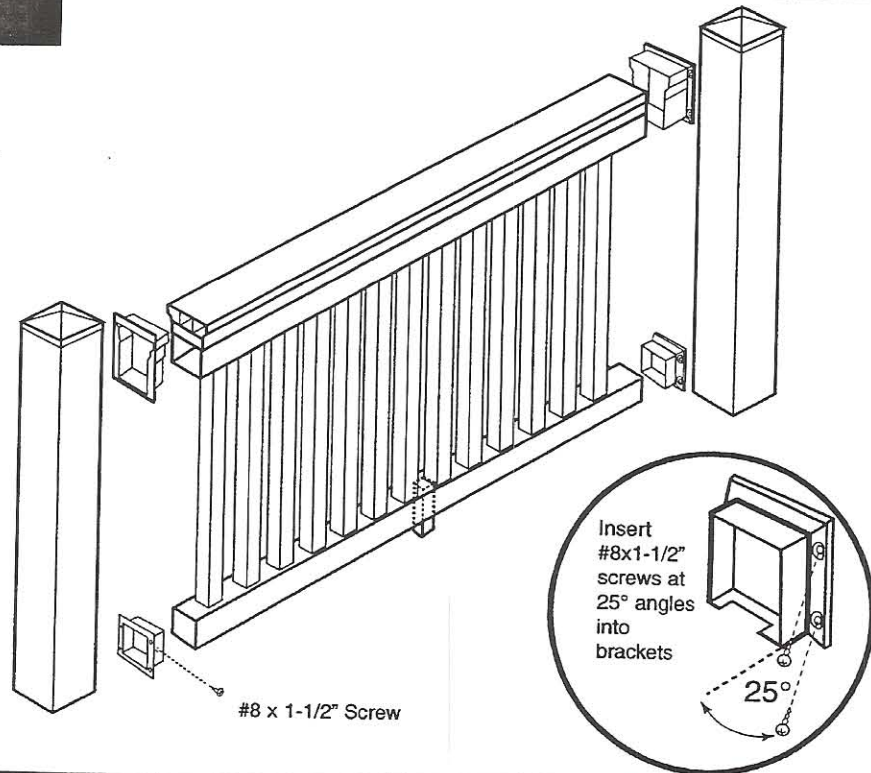
STEP 2

Slide PVC post over the wood posts. Notch or cut the length of PVC post depending upon wood post mounting.



STEP 3

Assemble pickets & stringers. Insert 5" piece of 1-1/2" x 1-1/2" into bottom of bottom stringer. Slide PVC brackets on to ends of stringers. Place assembly between posts. Attach PVC brackets to the posts with #8 x 1-1/2" stainless screws. Do not over tighten.



STEP 3

Place post cap over post. Secure cap with either silicone caulk or PVC pipe cement.