

# BC36MH & BCD36MH

## Wood Fireplaces Specifications

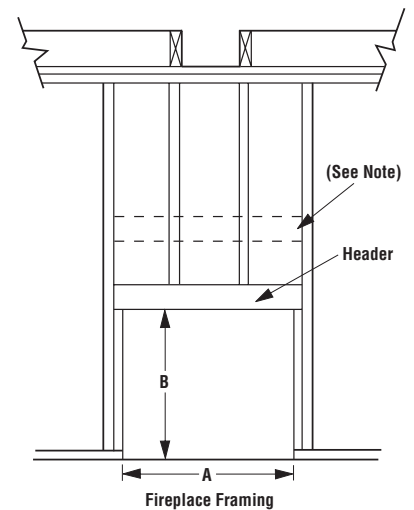
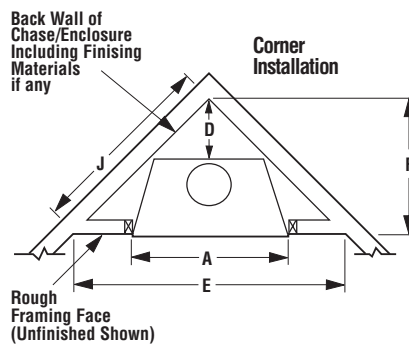
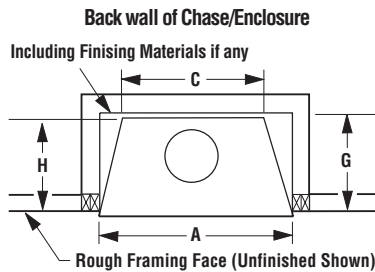
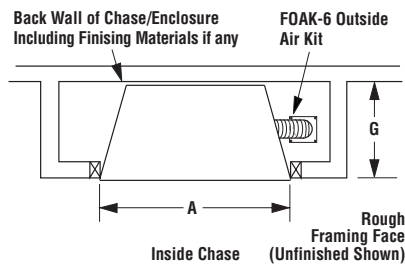
Product Reference Information			
Cat. No.	Model	Ship. Wt.	Ship. Volume
H4630	BC36MH	175 lb.	20.7 cu. ft.
H4631	BCD36MH	180 lb.	20.7 cu. ft.

Framing Dimensions Fireplace Opening Width		
A	41-1/4"	1048 mm
B	37-1/2"	953 mm
C	28-3/4"	730 mm
D	15-3/8"	391 mm
E	70"	1778 mm
F	35"	889 mm
G	20-5/8"	524 mm
H	19-5/8"	498 mm
J	49-1/2"	1257 mm

### Notes:

- Suitable for Manufactured Home Installations
- Includes Combustion Air Kit
- Includes Set of Doors

Framing Dimensions



Roof Framing Dimensions		
Pitch	FTF8 at 1" (USA)	
	Parallel to roof ridge	Perpendicular to roof ridge
0/12	14-1/2"	14-1/2"
6/12	14-1/2"	17"
12/12	14-1/2"	21-1/2"

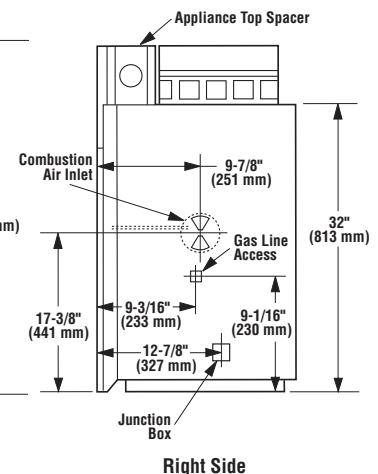
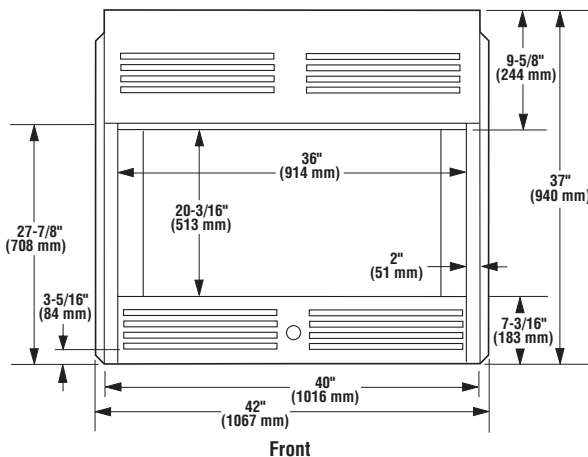
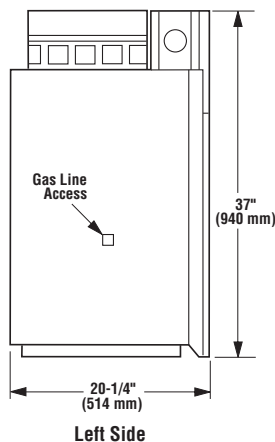
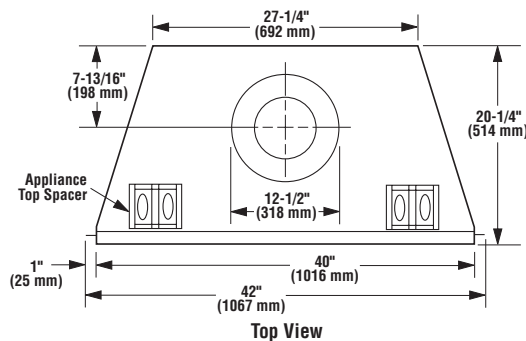
Ceiling Framing Dimensions		
Flue Type	Parallel to Framing	Perpendicular to Framing
FTF8, Vertical	14-1/2" (368 mm)	14-1/2" (368 mm)
FTF8 Offset 30°	14-1/2" (368 mm)	25" (635 mm)

Notes	
Due to Lennox' ongoing commitment to quality, all specifications, ratings and dimensions are subject to change without notice.	
All framing dimensions calculated for 1/2" dry wall at the fireplace face. If sheathing the chase or finishing with other thickness materials, calculations will need to be made.	
Diagrams & Illustrations Not to Scale	

Tested & Listed By **OTL** Beaverton Oregon USA  
OMNI-Test Laboratories, Inc.

These fireplaces have been tested and listed by OMNI-Test Laboratories to U.L. standard 127.

OTL Report No. 116-F-35-2



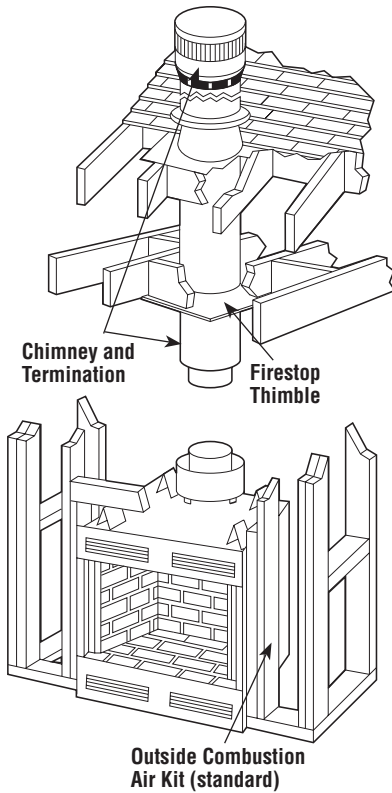
Listing Information

Fireplace Dimensions

# BC36MH & BCD36MH

## Wood Fireplaces Specifications

Typical Installation

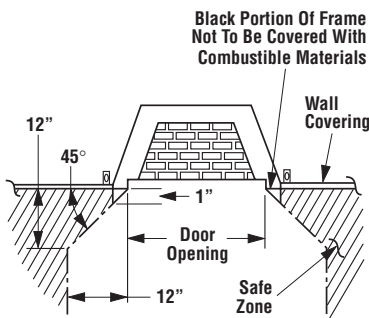


### CLEARANCES

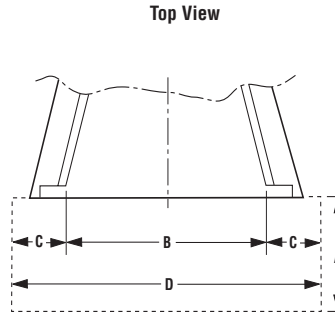
Minimum clearance to combustibles for the appliance is as follows: sides and back - 1" (25 mm), floor - 0" (0 mm), adjacent wall - 12" (305 mm), ceiling - 37-1/2" (953 mm).

The nailing tabs and the area directly behind the nailing tabs are exempt from the clearances. Maintain at least 1/2" clearance from the firebox wrapper to the framing at the closest point of contact, directly adjacent to the flange.

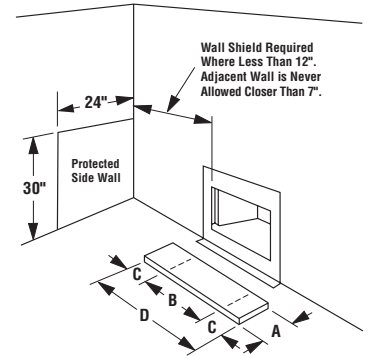
Combustible Clearances



Hearth & Wall Requirements

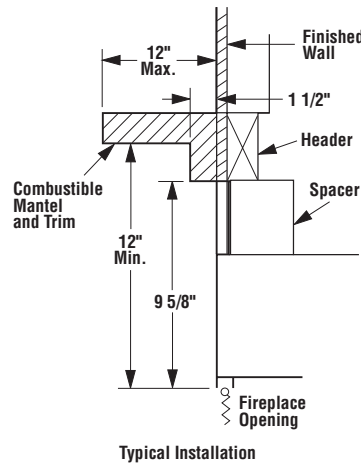


Hearth Extension Dimensions	
A	16"
B	30"
C	8"
D	46"



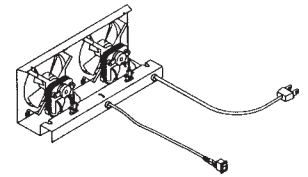
"k" & "r" Value Requirements (see installation manual for details)		
k (per inch)	r (per inch)	Listed Min. Thickness
.84	1.19	1"

Mantel Clearances



Combustible mantels and trim may be installed 12" above the fireplace opening as per NFPA 211-latest edition and as shown here. If a mantel is of a noncombustible material, it is exempt from these requirements as long as it does not interfere with the installation or operation of glass doors.

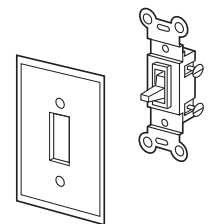
Note: These fireplaces may sit directly on a combustible surface. A 1" air space is required between framing, insulation, building materials and the chimney. A 1" air space is required between framing, insulation, building materials and the fireplace outer wrapper.



Blower Kit is installed as a standard component on model BCD36MH (optional kit for model BC36MH).

Forced Air Blower Kit  
Model BFK36  
Cat. No. 36L32

Accessory Components



This ON/OFF wall switch kit can be used in place of the unit mounted rocker switch. This switch provides single speed ON/OFF operation of the blower. Install the ON/OFF wall switch in a convenient location near the fireplace.

ON/OFF Wall Switch Kit  
Model FWSK  
Cat. No. 85L87