

NORDYNE

August 14, 2007

Dear :

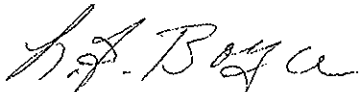
Please see attached bulletin explaining the framing changes to the Superior wood and gas fireplaces.

The only change is the framing will be 1" wider than the current models. The new models will not fit in the current framing dimension. The current models can be used in the new 1" wider framing by furring in with ½ " plywood on each side.

If you have any questions, please contact your Regional Sales Manager.

Thank you for your business.

Sincerely,



Larry Boyce
Director, OEM Sales

CC: Bill Kormeier

LB/lem

Enclosure: Product Bulletin

PRODUCT BULLETIN

New Superior[®] Manufactured Housing 36" Wood-Burning Fireplaces and Direct-vent Gas Fireplaces Coming Soon

Lennox Hearth Products is introducing new 36" manufactured housing wood-burning factory-built fireplaces effective in September 2007. The following chart summarizes the upcoming models that are affected:

Current SKU No.	New SKU No.	Model No. (No change)
556785	559324	BC36MH
556786	559325	BCD36MH

The new units feature a different style, wider nailing flange design and have a framing width that is 1" wider (1/2" each side) than the equivalent models they replace.

Direct Vent SDV35-N Models to Change Also

The sister Superior SDV-35N direct-vent gas fireplaces (SKU No. 556782) will make a similar change though the model number and SKU number will remain the same (running change). The units will have wider versions of the existing nailing flanges.

Please review the attached list of Frequently Asked Questions (FAQ's) to assist you in understanding the ramifications of this introduction. Updated framing specifications are attached.

We hope this advance notice is helpful to your planning. Please contact your Regional Sales Manager with any questions. Thank you for your support.

FAQs –New Superior[®] 36” Wood-Burning Fireplaces

1) WHICH MODELS ARE AFFECTED?

All Superior BC and BCD manufactured housing fireplace models listed below are affected:

Current SKU No.	New SKU No.	Model No. (No change)
556785	559324	BC36MH
556786	559325	BCD36MH

Additionally, the Superior manufactured housing direct-vent gas fireplace model no. SDV-35N (SKU No. 556782) will also be affected.

2) WHAT IS CHANGING?

The new models above will have wider, 2-piece nailing flanges on each side of the fireplace as well as framing standoffs to ensure that minimum framing is maintained. There are no other visible changes to the units and accordingly they will look the same to manufactured housing manufacturers and end users after installation. As indicated, the model numbers remain the same though new catalog numbers will identify the newer models. For the Superior SDV-35N direct-vent unit (which shares common framing dimensions), the nailing flanges will be increased ½” on each side to mimic the change to the sister wood units. Also, for an introductory period of time to assist in identifying the new models, the exterior of the carton will have a green label indicating “NEW”.

3) WHAT ABOUT PRICE?

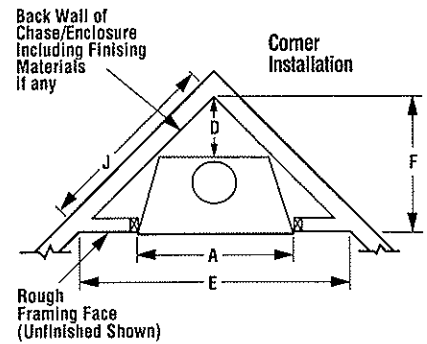
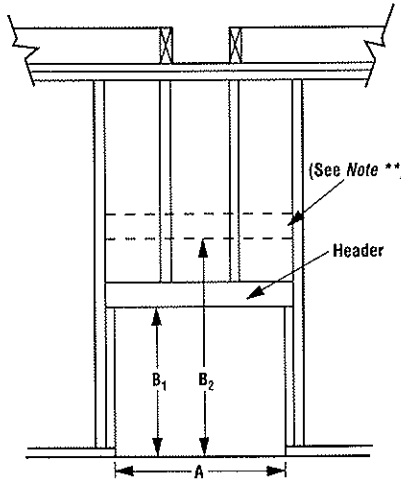
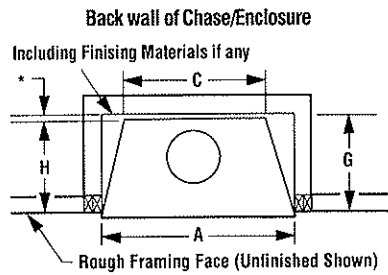
Pricing remains unchanged for all of these products.

4) WILL THE NEW UNITS FIT INTO THE FRAMING WIDTHS OF THE CURRENT MODELS?

“No” for the wood-burning units. The new units require a framing width of 42 ¼” - one inch wider than the 41 ¼” for current models. The new units also have standoffs to ensure that the new minimum framing width is maintained. If older (current) units are placed into the new framing width, it may be necessary to fir out the sides to engage the nailing flange. The framing height remains the same.

“Yes” for the new version SDV-35N models which will fit into either old (current) or new framing specifications.

BC36MH & BCD36MH

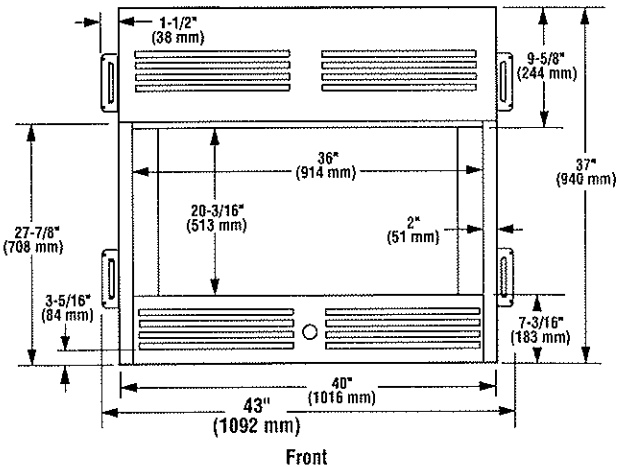
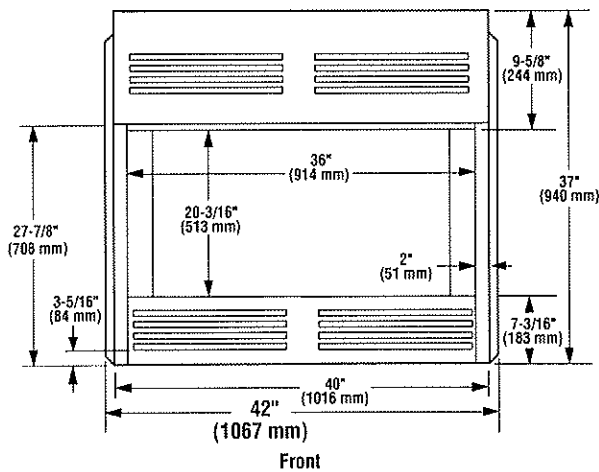
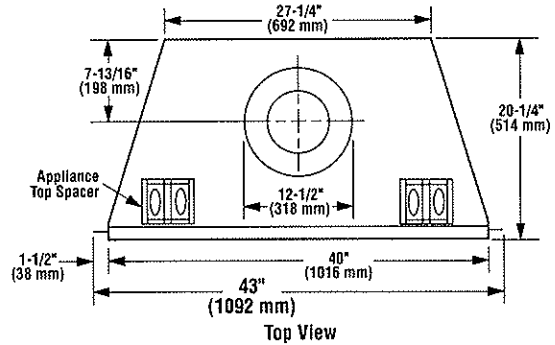
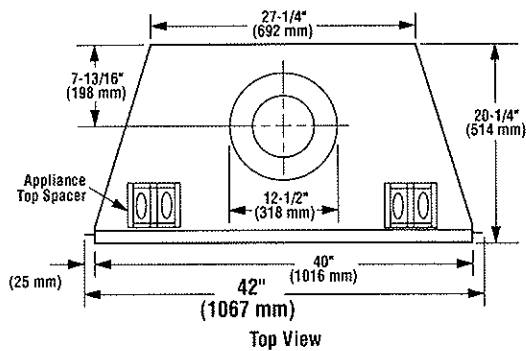


CURRENT

Framing Dimensions		
A	41-1/4"	1048 mm
B ₁	37-1/2"	953 mm
B ₂	54-1/2"	1384 mm
C	28-3/4"	730 mm
D	15-3/8"	391 mm
E	70"	1778 mm
F	35"	889 mm
G	20-5/8"	524 mm
H	19-5/8"	498 mm
J	49-1/2"	1257 mm

NEW

Framing Dimensions		
A	42-1/4"	1073 mm
B ₁	37-1/2"	953 mm
B ₂	54-1/2"	1384 mm
C	28-3/4"	730 mm
D	15-3/8"	391 mm
E	70"	1778 mm
F	35"	889 mm
G	20-5/8"	524 mm
H	19-5/8"	498 mm
J	49-1/2"	1257 mm



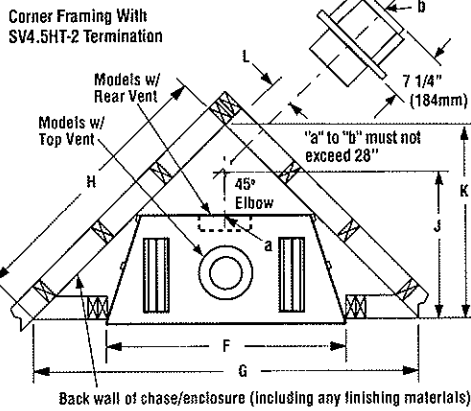
SDV35-N

Appliance Specifications - CURRENT

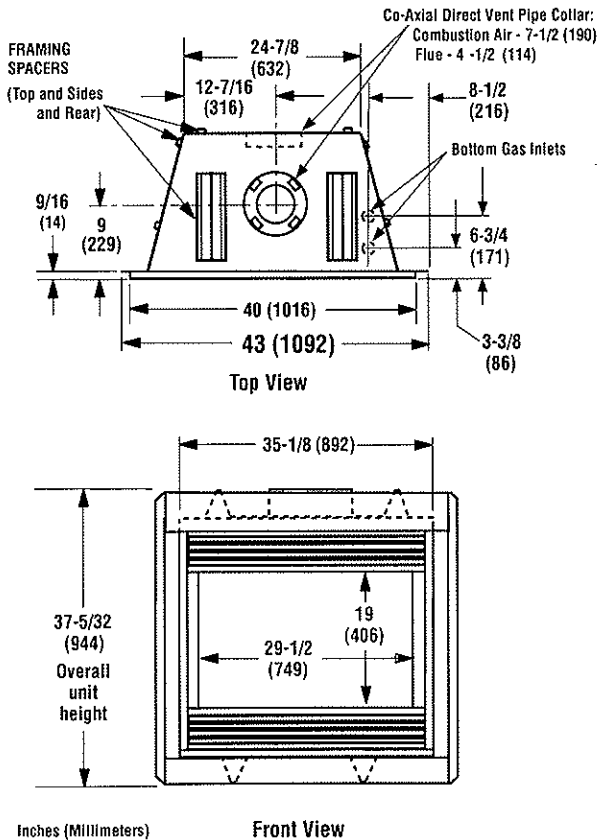
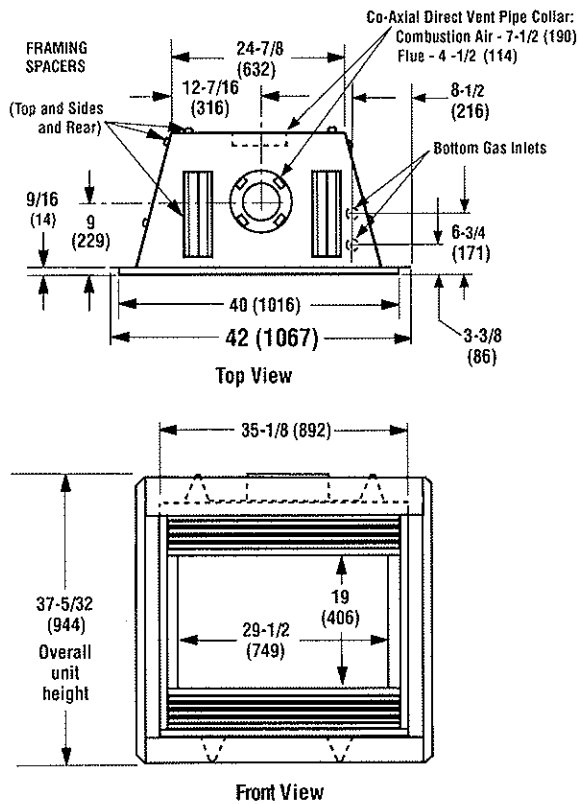
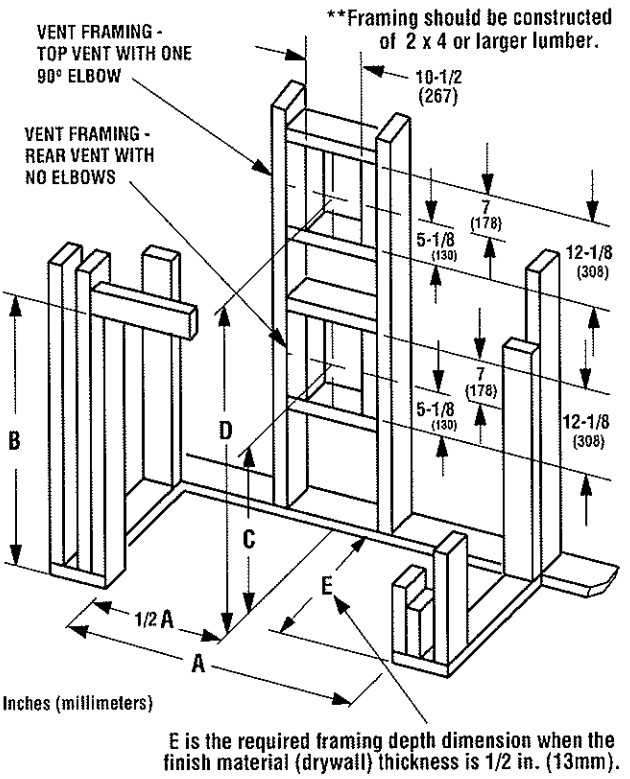
SDV35-N Fireplace Dimensions - Inches (millimeters)					
A	B	C	D	E	
41-1/4 (1048)	37-1/2 (953)	23-3/4 (603)	42-5/32 (1071)	16" (406)	
F	G	H	J	K	L
41-1/4 (1048)	57-1/2 (1461)	40-5/8 (1032)	19-3/16 (487)	28-3/4 (730)	6-1/8 (156)

Appliance Specifications - NEW

SDV35-N Fireplace Dimensions - Inches (millimeters)					
A	B	C	D	E	
42-1/4 (1073)	37-1/2 (953)	23-3/4 (603)	42-5/32 (1071)	16" (406)	
F	G	H	J	K	L
42-1/4 (1073)	57-1/2 (1461)	40-5/8 (1032)	19-3/16 (487)	28-3/4 (730)	6-1/8 (156)



**Framing With Square Horizontal Termination SV4.5HT-2



CURRENT

SUPERIOR

NEW