



INSTALLATION INSTRUCTIONS

CUSTOM SERIES

36" Wood Burning Fireplaces
P/N 700,023M REV. N/C 07/2001

MODELS

CST-38

CPF-38

This installation manual will enable you to obtain a safe, efficient and dependable installation of your fireplace system. Please read and understand these instructions before beginning your installation.

Do not alter or modify the fireplace or its components under any circumstances. Any modification or alteration of the fireplace system, including but not limited to the fireplace, chimney components and accessories, may void the warranty, listings and approvals of this system and could result in an unsafe and potentially dangerous installation.

**IMPORTANT! TO ASSURE PROPER ALIGNMENT OF GLASS DOORS:
INSTALL THIS FIREPLACE IN A SQUARE AND PLUMB CONDITION,
USING SHIMS AS NECESSARY AT SIDES AND/OR BOTTOM.**

PLEASE RETAIN THIS MANUAL FOR FUTURE REFERENCE.

**RETAIN THESE INSTRUCTIONS
FOR FUTURE REFERENCE**



WH Report No. 12069-762

TABLE OF CONTENTS

Safety Rules	page 2
Tools and Building Supplies	page 2
Precautions	page 3
Introduction	page 3
Clearances/Height Requirements	page 3
Chimney System	page 4
Assembly Outline	page 4
Location of Fireplace	page 4
Assembly Steps	page 5
Preinstallation Notes	page 5
Clearances	page 5
Installing the Fireplace	page 5
Fireplace Specifications	page 7
Framing Specifications	page 8
Framing Wall Variations	page 9
Installing the Chimney System	page 10
Ten Foot Rule Summary	page 13
Multiple Terminations	page 13
Chimney Component Calculations ...	page 13
Special Offset Instructions	page 13
Vertical Elevation Chart	page 14
Offset Elevation Chart	page 15
Offset Calculations	page 16
Installing Offsets	page 16
30° Offset through Floor/Ceiling	page 17
Glass Doors	page 17
Optional Equipment Considerations .	page 17
Combustion Air Kits	page 17
Gas Line Connection	page 18
Cold Climate Insulation	page 18
Fireplace Finishes	page 18
Mantels and Trim	page 18
Hearth Extensions/Wall Shields	page 18
Finish Requirements	page 20
Accessories And Components	page 20

IMPORTANT: PLEASE READ AND UNDERSTAND THESE RULES TO FOLLOW FOR SAFETY.

1. Before starting your fireplace installation, read these installation instructions carefully to be sure you understand them completely and in entirety. Failure to follow them could cause a fireplace malfunction resulting in serious injury and/or property damage.

2. Always check your local building codes. The installation must comply with all local, regional, state and national codes and regulations.

3. These fireplaces must be installed with FireCraft's FTF8 (8" inside diameter) Chimney System only. These systems are intended for use in any application where a traditional masonry type fireplace would apply. The chimney system must always vent to the outside of the building.

4. To ensure a safe fireplace system and to prevent the build-up of soot and creosote, inspect and clean the fireplace and chimney prior to use and periodically during the heating season.

5. Use solid fuel only. DO NOT use artificial wax based logs, chemical chimney cleaners or flame colorants in your fireplace.

6. DO NOT use charcoal or coal under any circumstances.

7. NEVER use gasoline, gasoline-type lantern fuel, kerosene, charcoal lighter fluid, or similar liquids to start or "freshen up" a fire in this fireplace. Keep any flammable liquids a safe distance from the fireplace.

8. NEVER leave children unattended when there is a fire burning in the fireplace.

9. Always keep flue damper open when heat is present in the fireplace.

10. Before servicing, allow the fireplace to cool. Always shut off any electricity or gas to the fireplace while working on it. This will prevent any possible electrical shock or burns.

11. This fireplace is not intended to heat an entire home or be used as a primary heat source. It is designed to ensure homeowner comfort by providing supplemental heat to the room.

12. Always ensure an that adequate supply of replacement combustion air from the outside of the house is accessible to the fire to support normal combustion. Fireplaces consume large volumes of air during the normal combustion process. In the event the home is tightly sealed with modern energy efficient features, the optional combustion air kit may not provide all the air required to support combustion.

The manufacturer is not responsible for any smoking or related problems that may result from the lack of adequate combustion air. It is the responsibility of the builder/contractor to ensure that adequate combustion air has been provided for the fireplace.

13. DO NOT use a fireplace insert or any other products not specified herein by the manufacturer for use with this fireplace. All gas log sets must be operated with the damper clamped open.

WARNING: THIS FIREPLACE HAS NOT BEEN TESTED WITH AN UNVENTED GAS LOG SET. TO REDUCE RISK OF FIRE OR INJURY, DO NOT INSTALL AN UNVENTED GAS LOG SET INTO THIS FIREPLACE.

14. "Smoke free" operation is not warranted nor are we responsible for inadequate system draft caused by mechanical systems, general construction conditions, inadequate chimney heights, adverse wind conditions and/or unusual environmental factors or conditions beyond our control.

15. Never, under any circumstances, install a fireplace, chimney component or any accessories, that has visible or suspected physical damage as a result of handling or transportation. These items should be inspected by your distributor or qualified factory representative to ensure safe condition. When in doubt, consult your distributor.

16. For additional safety considerations and complete operating instructions, refer to the Care and Operation Manual provided with the fireplace.

TOOLS AND BUILDING SUPPLIES NORMALLY REQUIRED

Tools should include:

- Phillips screwdriver
- Hammer
- Saw and/or sabersaw
- Level
- Measuring tape
- Plumb line
- Electric drill and bits
- Pliers
- Square

Building supplies:

- Framing materials
- Wall finishing materials
- Caulking materials (noncombustible)
- Fireplace surround and hearth extension materials (noncombustible)

PRECAUTIONS

Note: These fireplace systems are not difficult to install. However, in the interest of safety, it is recommended that the installer be a qualified or certified "tradesman" familiar with commonly accepted fireplace installation and safety techniques as well as prevailing local codes.

The most important areas of concern dealing with the installation of factory-built fireplaces are clearances to combustibles, proper assembly of component parts, height of the chimney system, the proper use of accessories supplied by the manufacturer and the techniques employed in using finishing materials applied to the wall surrounding the fireplace, hearth extensions and wall shields. Each of these topics will be covered in thorough detail throughout this manual. Please give each your special attention as you progress with your installation.

INTRODUCTION

General Information

The CST-38 and CPF-38 Series are radiant-heat, two-sided and three-sided fireplaces with standard glass doors. A steel grate is also included with the CST-38 and CPF-38 to properly position the fire. An outside combustion air kit is available as optional equipment.

TYPICAL INSTALLATION

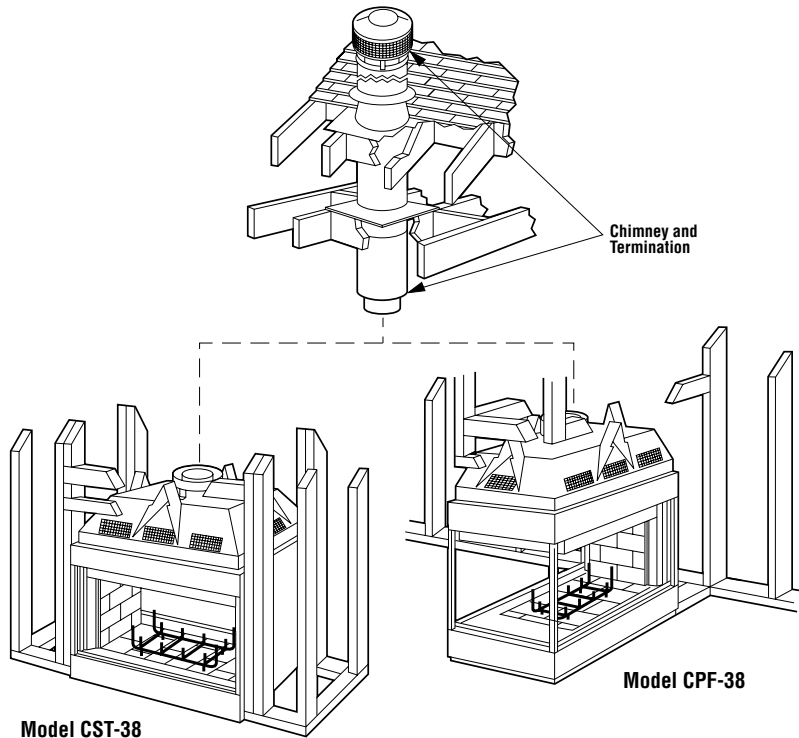


Figure 1

Note: Illustrations shown reflect "typical" installations with nominal dimensions and are for design and framing reference only. Actual installations may vary due to individual design preferences. However, always maintain minimum clearances to combustible materials and do not violate any specific installation requirements.

These fireplaces have been tested and listed by Warnock Hersey (Report No. 12069-762) to U.L. standard 127. These units are intended for installation in residential homes and other buildings of conventional construction including commercial, not in mobile homes.

These fireplace systems are designed for installation in accordance with the National Fire Protection Standard for chimneys, fireplaces and solid fuel burning appliances; NFPA 211 and in accordance with codes such as the BOCA Basic/National Codes, the Standard Mechanical Code and the Uniform Building Codes.

WARNING: FAILURE TO USE MANUFACTURE PROVIDED PARTS, VARIATIONS IN TECHNIQUES AND CONSTRUCTION MATERIALS OR PRACTICES OTHER THAN THOSE DESCRIBED IN THIS MANUAL MAY CREATE A FIRE HAZARD AND VOID THE LIMITED WARRANTY.

The CST and CPF systems consists of four "subsystems":

1. The Fireplace and Door Assemblies
2. The Chimney and Termination
3. The Optional Combustion Air Kit
4. The Chimney Air Kit (Canada Only)

CLEARANCES AND HEIGHT REQUIREMENTS

The fireplace may be placed on or near normal construction materials*. The combustion air kit, firestop spacer and roof flashing (not chase flashings) may be placed directly on or against normal construction materials. * The chimney and fireplace outer wrapper require a minimum 2" and 1" air space to combustibles respectively. A combustible mantle may be installed 12" above the opening of the fireplace as per NFPA 211, Section 7-2.3.3.

The CPF-38 fireplace opening must be kept a minimum of 8" (203 mm) from an unprotected combustible side wall. The CST-38 fireplace opening must be kept a minimum of 8" (203 mm) from a protected combustible side wall. A perpendicular side wall can not be closer than 7" (178 mm) for both the CPF-38 and CST-38 fireplaces. If there is a continuous perpendicular side wall closer than 18" from the CST-38 fireplace opening, it must be protected with a 40" x 40" x 1/2" (1016 mm x 1016 mm x 13 mm) wall shield constructed of millboard or a durable noncombustible material with an equal or greater insulating value than $k = .84 \text{ BTU IN/FT}^2 \text{ HR } ^\circ\text{F}$ (refer to page 18).

As with all chimney installations, avoid overhead obstructions such as trees, power lines, etc. Additionally chimney terminations must meet certain clearance to roof requirements detailed in the paragraph titled Ten-Foot Rule Summary.

The fireplace and chimney system must be enclosed when installed in or passing through a living area where combustibles or people may come in contact with it. This is important to prevent possible personal injury or fire hazard.

*Construction Materials:

- framing materials
- particle board
- millboard
- plywood
- paneling
- flooring
- dry wall
- etc.

For questions, please call your distributor or the manufacturer. Special restrictions apply to the front and facing of the fireplace and nearby walls (See pages 18, 19 and 20).

CHIMNEY SYSTEM

These fireplaces are designed and code listed for use with FireCraft's FTF8 chimney System only. Always use FireCraft's FTF8 chimney components with these fireplaces. Do not modify or alter these components as this may cause a potential serious hazard and void the Warranty.

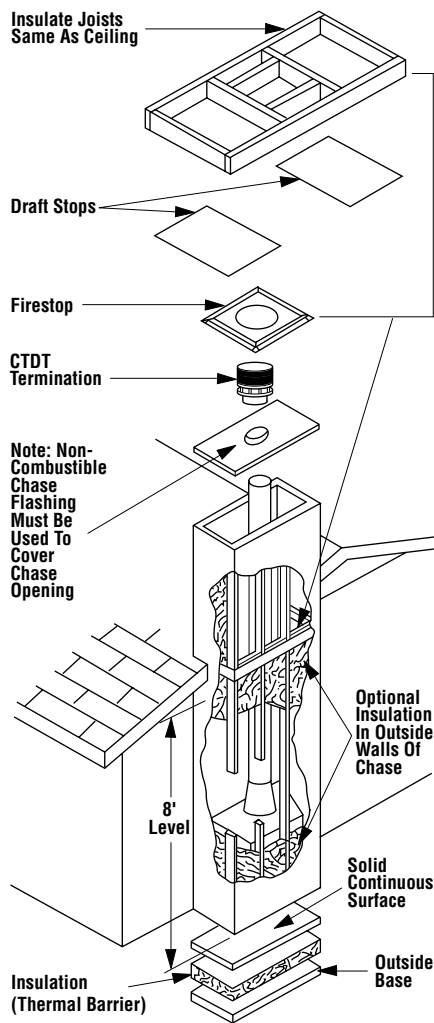


Figure 2

WARNING: IF INSULATION IS USED, THE FIREPLACE MUST NOT BE PLACED DIRECTLY AGAINST IT. INSULATION OR VAPOR BARRIERS, IF USED, MUST FIRST BE COVERED WITH GYPSUM BOARD, PLYWOOD, PARTICLE BOARD OR OTHER MATERIAL TO ASSURE INSULATION AND VAPOR BARRIERS REMAIN IN PLACE.

WARNING: DO NOT PACK OR FILL REQUIRED AIR SPACES WITH INSULATION OR OTHER MATERIAL. NO MATERIAL IS ALLOWED IN THESE AREAS.

Note: Do not insulate the chase cavity with blown or fill type insulation materials.

Note: Local codes may not require firestopping at the ceiling levels for outside chase installations. However, it is recommended for safety and the reduction of heat loss.

Chimney Height

The total height of your CST and CPF fireplace systems from the surface the fireplace rests on to the chimney top must not exceed 80' (24.4m) and must also meet minimum system height chart.

Minimum System Height

Model CST-38 and CPF-38	FireCraft's FTF8
Vertical Installation	15' 0" (4.6 m)
One Offset	16' 0" (4.9 m)
Two Offsets	25' 0" (7.6 m)

Chase Enclosure

A chase is a vertical box-like structure constructed to surround the fireplace and chimney. Refer to Figure 2 for a typical chase configuration. A chase should be constructed and insulated just like any outside wall. In a cold climate, we recommend the base of the chase should also be insulated between the solid continuous floor beneath the fireplace and the chase bottom. Chase insulation in a cold climate installation is not required for safety.

ASSEMBLY OUTLINE Before You Start

Check your inventory list to be sure you have all the necessary parts supplied in good usable condition. Check also for any concealed damage.

Check the operation of the damper. The damper is controlled through the use of a control lever located within the firebox opening at the top center just behind the firebox lintel (Figure 3). The control lever snaps into place at the extreme range of motion, up and back in the closed position. When pulled forward and down, the damper is open.

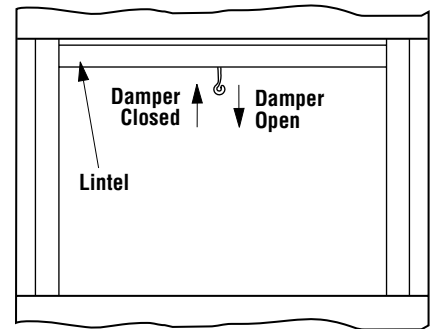


Figure 3

LOCATION OF FIREPLACE

Carefully select the proper location for heat circulation, aesthetics, chimney obstructions and clearance to side wall(s). With proper pre-planning, a slight adjustment of a few inches can save considerable time and expense later during construction and assembly.

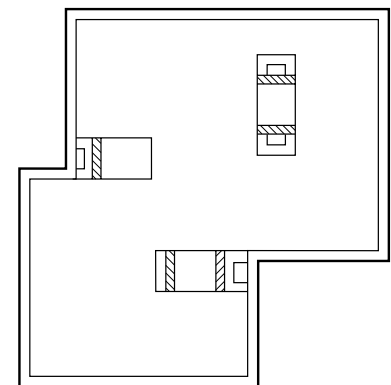


Figure 4

Carefully consider the position of the fireplace opening with respect to the location of adjacent or nearby stairwells, bath or kitchen exhaust fans and/or return air registers for forced air furnaces/air conditioners that could cause a smoking fireplace condition if the house is tightly insulated.

This system is intended to be installed in residential homes and buildings of conventional construction, not in mobile homes.

When locating the fireplace, consideration must be given to combustibles and final finishing. For an example of this, see *Figure 5* and confine the final location of combustible finish materials to the "Safe Zone".

DO NOT permanently place furniture or other items such as decorative pillows within 60" of the fireplace front face.

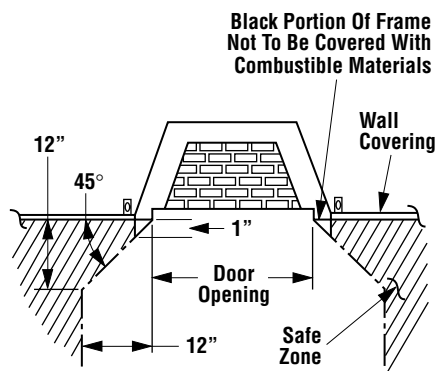


Figure 5

ASSEMBLY STEPS

Note: The following steps represent the normal sequence of installation. Each installation is unique, however, and might require a different sequence.

1. Position firebox prior to framing or into prepared framing.
2. Install the chimney air kit (Canada only)
3. Install the chimney system.
4. Install optional outside combustion air kit.
5. Plumb gas line if a decorative gas appliance will be used. (Gas connections should only be performed by an experienced, licensed/certified tradesman).

6. Install both "All-Glass™" door assemblies.

7. Complete finish wall material, surround and hearth extension to your individual taste.

Study the three dimensional illustration (*Figure 1*) to get a general idea of each element of your fireplace system.

PRE-INSTALLATION NOTES

The fireplace may be installed directly on a combustible floor or raised on a platform of an appropriate height. Do not place fireplace on carpeting, vinyl or other soft floor coverings. It may, however, be placed on flat wood, plywood, particle board or other hard surfaces. Be sure fireplace rests on a solid continuous floor or platform with appropriate framing for support and so that no cold air can enter the room from under the fireplace.

The fireplace may be positioned and then the framing built around it, or the framing may be constructed and the fireplace positioned into the opening.

Usually, no special floor support is needed for the fireplace, however, to be certain:

1. Estimate the total weight of the fireplace system including chimney and surround materials such as brick, stone, etc., to be installed. Shipping weights for the fireplace may be found on page 18.
2. Measure the square footage of the floor space to be occupied by the system, surrounds and hearth extensions.
3. Note the floor construction, i.e. 2 x 6's, 2 x 8's or 2 x 10's, single or double joists, type and thickness of floor boards.
4. Use this information and consult your local building code to determine if you need additional support.

CAUTION: DO NOT BLOCK THE HEAT-CIRCULATING AIR INLET AND OUTLET PORTS ON CIRCULATING MODELS. DOING SO MAY RESULT IN A POTENTIAL FIRE HAZARD.

If you plan to raise the fireplace and hearth extension, build the platform assembly then position fireplace and hearth extension on top. Secure the platform to the floor to prevent possible shifting.

CLEARANCES

Minimum clearance to combustibles for the appliance is as follows: sides and back - 1" (25 mm), floor - 0" (0 mm), adjacent wall - 12" (305 mm), ceiling - 37 1/2" (953 mm).

INSTALLING THE FIREPLACE

Step 1. Slide the fireplace into prepared framing or position fireplace in its final position and frame later.

The fireplace may not be recessed into a combustible floor. Maintain the floor to hearth clearance established by the fireplace lower front face.

Step 2. Insert the provided metal safety strips, beneath the fireplace as illustrated (*Figures 6, 7 and 8*). The safety strips should overlap 1/2" for continual coverage of the floor.

Note: Safety strips are not required when fireplace rests on a noncombustible surface.

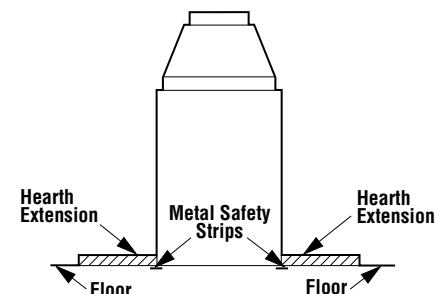


Figure 6

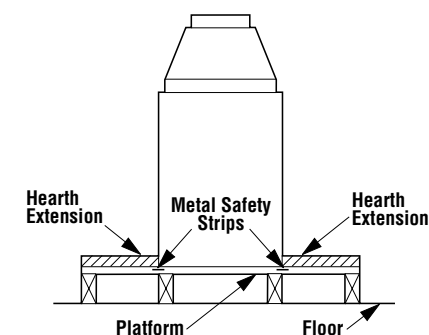


Figure 7

Note: Install the hearth extension only as illustrated.

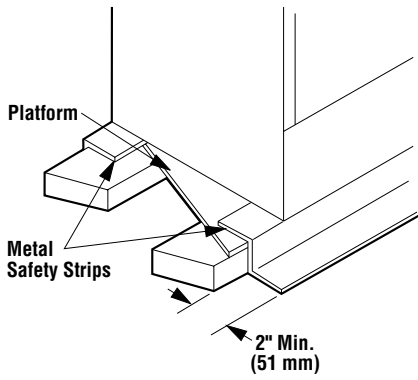


Figure 8

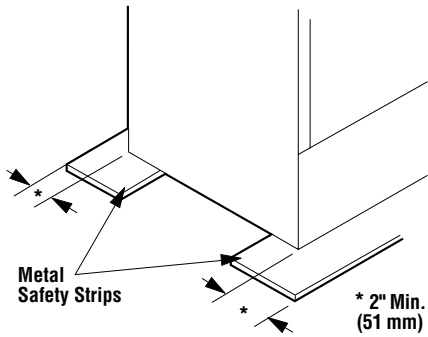


Figure 9

The safety strips should extend in front and sides of the fireplace opening 2" (51 mm). In the event a wooden support is used to elevate the fireplace above the floor, a "Z" type safety strip should be fabricated and used to protect the front surface of the wood support as well as the floor beneath the hearth extension (see Figures 8, 9, 10, and 11). The safety strips should be tacked down to prevent possible movement.

Note: The "Z" type safety strip is not supplied.

Step 3. Refer to fireplace drawings and specifications on pages 7 and 8 for framing dimensions and details. False header may be positioned directly on top of the fireplace spacers (see Figures 12, 13 and 14).

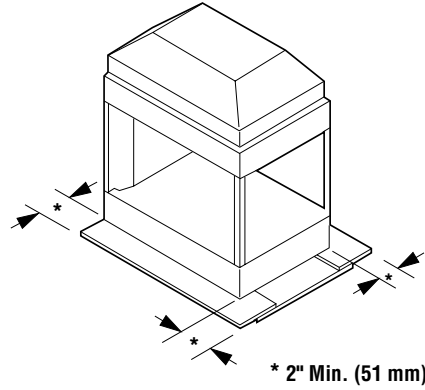


Figure 10

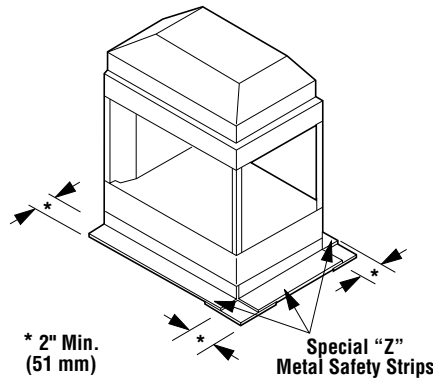


Figure 11

IMPORTANT: UNDER NO CIRCUMSTANCES CAN THE FIREPLACE TOP SPACERS (FIGURE 12) BE REMOVED OR MODIFIED, NOR MAY YOU NOTCH THE HEADER TO FIT AROUND OR BE INSTALLED LOWER THAN THE SPACERS. THE HEADER MAY BE IN DIRECT CONTACT WITH THE TOP SPACERS BUT MAY NOT BE SUPPORTED BY THEM.

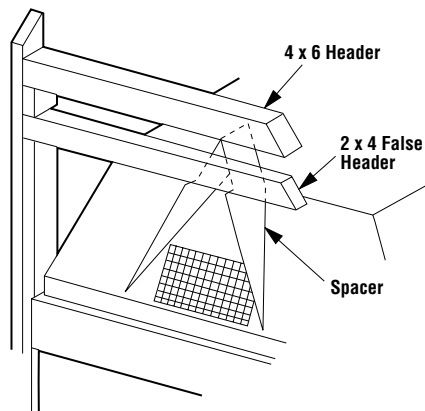


Figure 12

If the appliance is to be elevated above floor level, a solid continuous platform must be constructed.

The header may rest on the top metal spacers, but must not be notched to fit around them.

Consult all local codes.

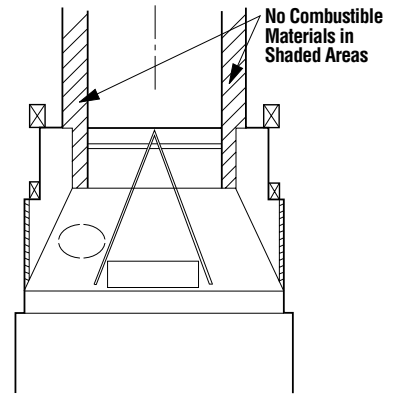


Figure 13

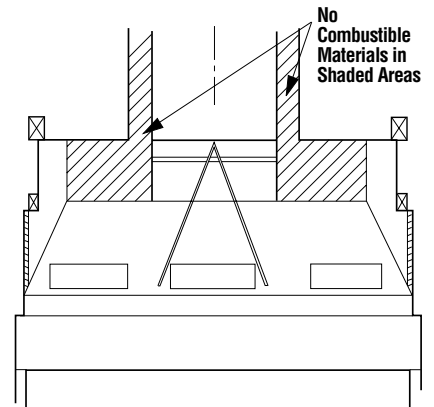
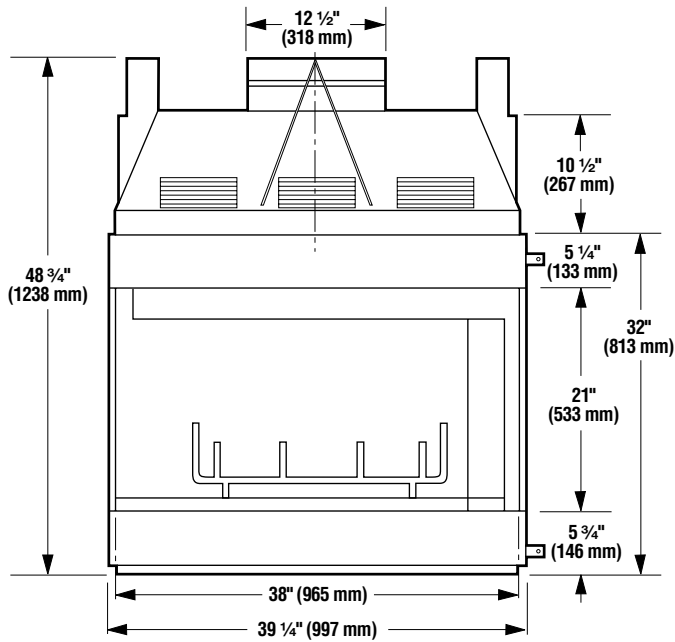
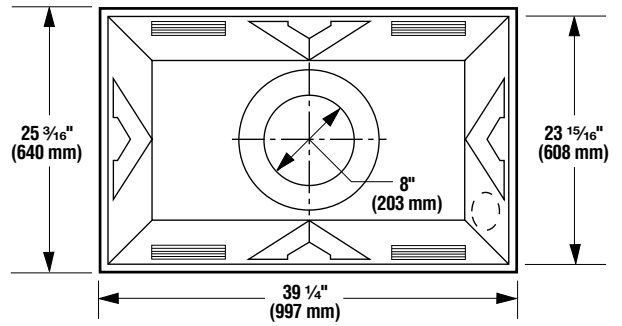


Figure 14

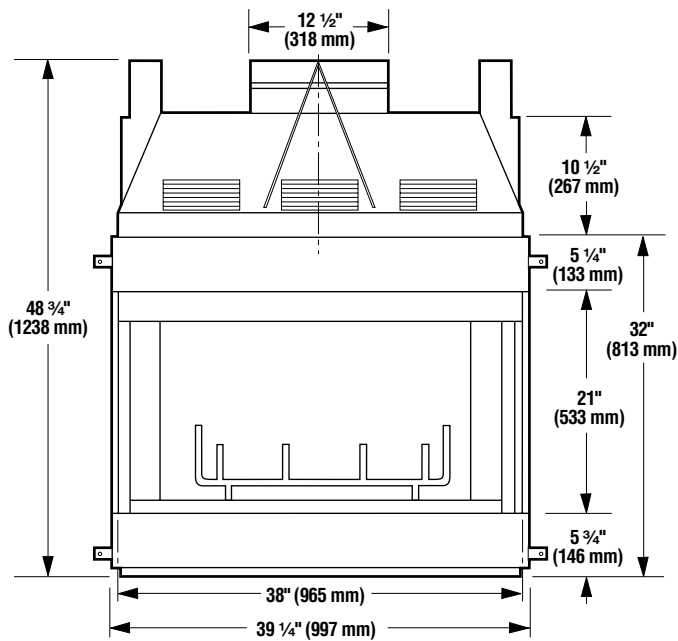
FIREPLACE SPECIFICATIONS



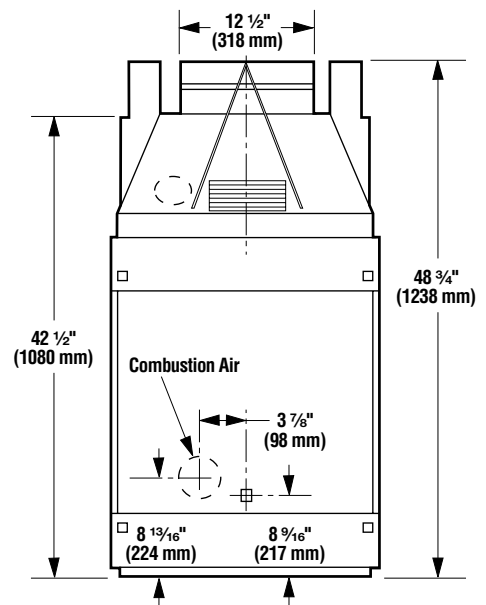
**Left Front View
Model CPF-38**



Top View



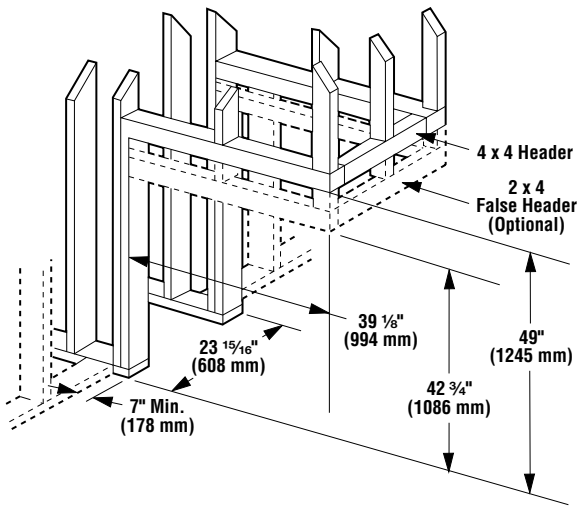
**Front View
Model CST-38**



End View

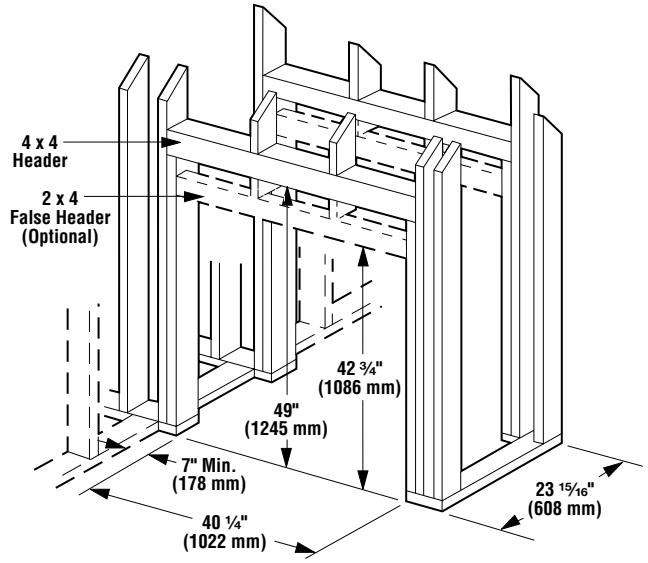
Figure 15

FRAMING SPECIFICATIONS



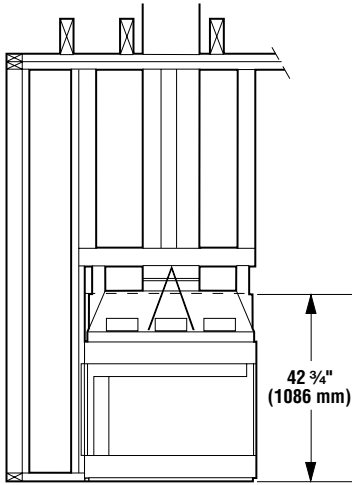
CPF

Figure 16



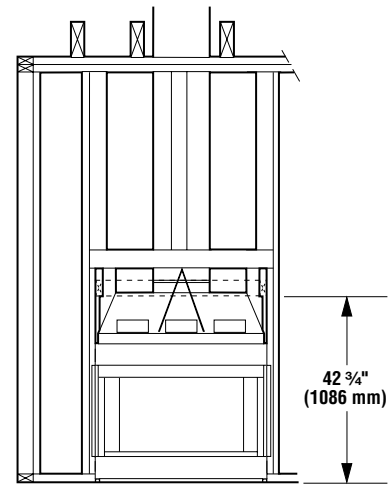
CST

Figure 19



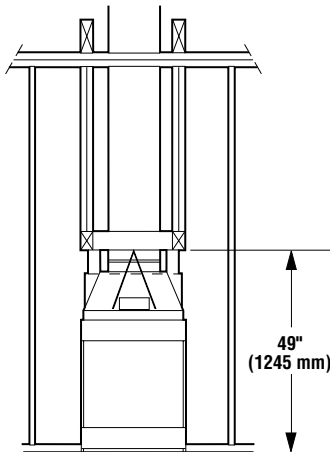
CPF - Right Front View

Figure 17



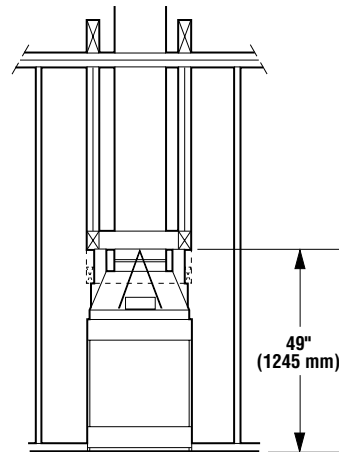
CST - Front View

Figure 20



CPF - End View

Figure 18



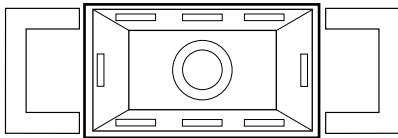
CST - End View

Figure 21

FRAMING WALL VARIATIONS

As many as six (6) different framed wall configurations can be constructed to enclose the CST and CPF fireplaces. The following illustrations depict these variations of wall enclosures. Several of these designs may incorporate book shelves, wood storage boxes, etc.

CST - Wall Types



"C" Type Wall



"T" Type Wall



"L" Type Wall



"H" Type Wall



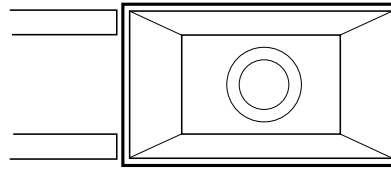
"Y" Type Wall



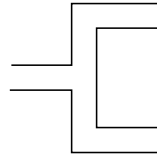
Parallel Wall

Figure 22

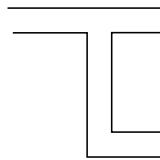
CPF - Wall Types



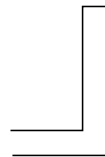
Parallel Wall



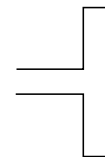
"Y" Type Wall



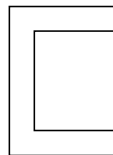
"H" Type Wall



"L" Type Wall



"T" Type Wall



"C" Type Wall

Figure 23

NOTE: DIAGRAMS & ILLUSTRATIONS NOT TO SCALE.

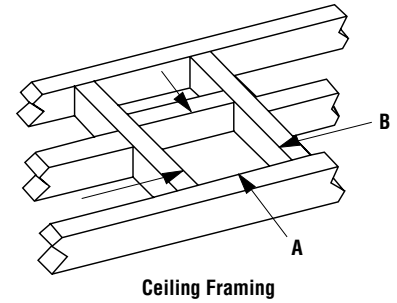


Figure 24

Framing Dimensions for Ceiling

Flue Type	Ceiling Opening	
	A	B
FTF8, Vertical at 2" (51 mm)	16 1/2" (419 mm)	16 1/2" (419 mm)
FTF8, Offset At 2" (51 mm)	16 1/2" (419 mm)	27" (686 mm)

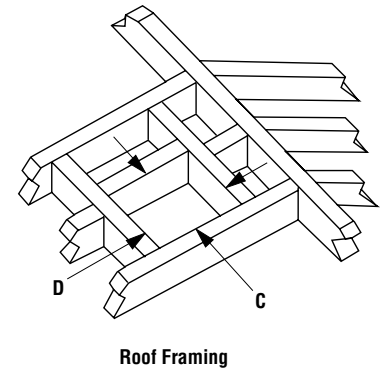


Figure 25

Framing Dimensions for Roof

Pitch	FTF8 at 2" (51 mm)	
	C	D*
0/12	16 1/2" (419 mm)	16 1/2" (419 mm)
6/12	16 1/2" (419 mm)	19" (483 mm)
12/12	16 1/2" (419 mm)	23 1/2" (597 mm)

* Perpendicular to Roof Ridge.

Step 4. The fireplace should be secured to side framing members using nailing tabs. Use 8d nails (Figure 26).

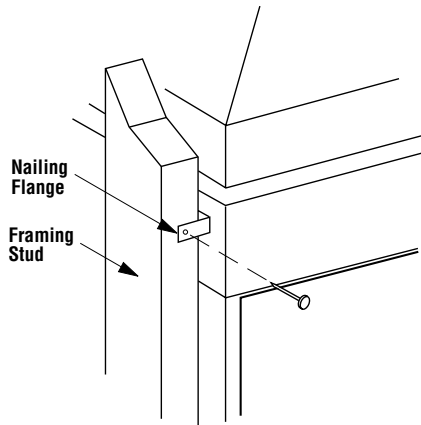


Figure 26

Note: The nailing tabs are exempt from the fireplace clearances described on the fireplace clearance label.

For Canadian Installations Proceed with Steps 5–8.

Note: W.H.I. listed only for installation in Canada.

Step 5. Remove one of the knockouts from either the left or right side of the fireplace transition. Attach the 4" (102 mm) collar from the FOAK-4 chimney air kit to the transition, using the four (4) No. 8 x 1/2" screws provided (Figure 27).

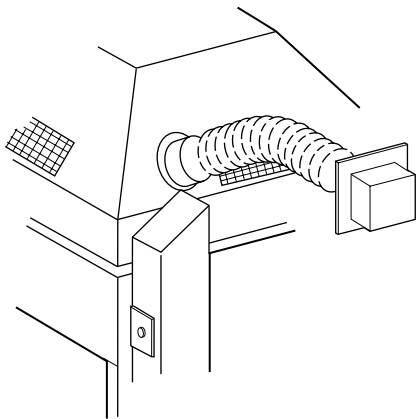


Figure 27

Step 6. Connect the 4" (102 mm) Class 0 or Class 1 air duct to the collar (just mounted) with two (2) No. 6 x 3/8" screws provided in the hardware kit.

Step 7. Route the Class 0 or Class 1 air duct out the back or side wall, up through the ceiling or floor joists to an outside wall. The air duct should be located above snow level.

Note: If the fireplace is installed against an inside wall, the Class 0 or Class 1 air duct may be extended into a ventilated attic space at least 18" (457 mm) above the attic floor. Secure the duct hood to a vertical post with the inlet positioned downward. Ensure nothing blocks the hood opening. Do not terminate the duct hood higher than the chimney.

Step 8. Cut or frame a hole through the outside wall for the installation of the duct inlet hood. A 4 1/2" (114 mm) diameter hole is sufficient. Feed the loose end of the flexible air duct through the hole cut for the inlet hood and attach to collar on inlet hood using two (2) No. 6 x 3/8" screws provided. Insert hood into opening. Secure in place with the No. 8 x 1 1/2" screws provided or with nails driven through holes in hood flange. Seal with noncombustible waterproof silicon type caulking. If additional air duct is needed, use Class 0 or Class 1 metallic duct.

INSTALLING THE CHIMNEY SYSTEM

Step 1. Check flue damper for proper operation. To open, push handle up and release. Damper will open automatically. To close, pull handle down and release damper will fall to the closed position.

Note: The damper may be operated from both firebox openings.

Step 2. Using standard construction framing techniques, construct opening for chimney route up through the ceiling(s) and roof or through an outside chase.

Framing must maintain adequate minimum air space clearance at all times.

CAUTION: ALLOW MINIMUM 2" (51 MM) CHIMNEY AIR SPACE TO COMBUSTIBLE FRAMING MEMBERS THROUGHOUT VERTICAL OR OFFSET CHIMNEY INSTALLATION. ALSO MAINTAIN AIR SPACE ON TOP OF THE FIREPLACE AS DEFINED BY THE SPACERS AND STANDOFFS.

A minimum 2" (51 mm) air space must be reserved for all combustible materials extending for any continuous length surrounding the chimney.

Reference Figures 24 and 25 and charts "Framing Dimensions for Ceiling and Roof" on page 8, which specify minimum ceiling and roof dimensions.

For new construction, to determine chimney center line, use plumb line from roof or ceiling above fireplace to center of flue collar on fireplace.

For remodeling, plumb to center of flue collar from ceiling above, drive nail through ceiling from below to mark position, then mark and cut to passage from above ceiling (around nail) (Figure 28). Then plumb from ceiling or roof level directly above hole which has just been completed.

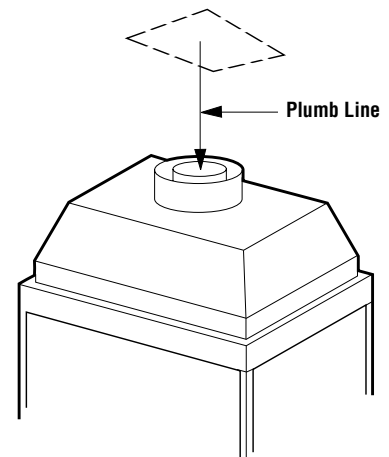


Figure 28

Step 3. Position appropriate firestop spacer at ceiling and nail temporarily with two (2) 8d nails. Use flat firestop spacer, Model F8FS-2, if chimney penetrates ceiling vertically. If chimney penetrates ceiling at 30° angle (offset chimney), use Model F8FS30-2. Nailed, one each on opposite sides to hold firestop spacer in position. Nail permanently, using at least two (2) more 8d nails, after chimney sections have been assembled through the firestop spacer and after any necessary adjustments have been made. Firestop spacer must be secured by at least four (4) 8d nails when completely installed.

Note: If there is a room above ceiling level, firestop spacer must be installed on the bottom side of the ceiling. If an attic is above ceiling level, firestop spacer must be installed on top side of ceiling joist (Figures 29 and 30).

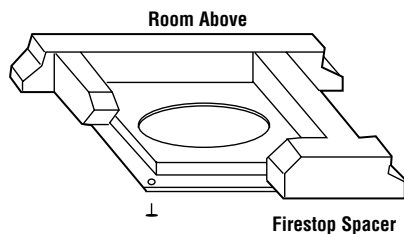


Figure 29

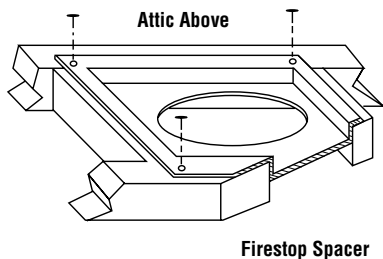


Figure 30

For Canada Only

When installing the chimney system through an open attic space, the attic shield assembly-firestop spacer must be used (Figure 31). This installation is Warnock Hersey Inc. listed only for use in Canada.

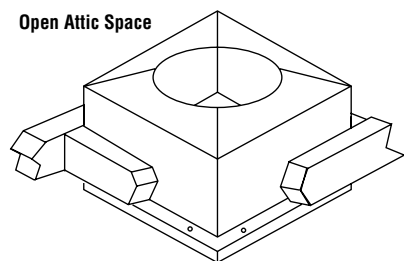


Figure 31

Step 4. Note: Chimney sections are constructed with a unique locking tab design which ensures an immediate, tight assembly between sections. Plan your chimney requirements carefully before assembly as chimney is difficult to disassemble after installation. If disassembled, the tabs might become damaged. Be certain tabs are properly formed to ensure tabs engage properly.

The FTF8 chimney system is a two-piece chimney, which snaps together from the fireplace up. Start with the inner flue section. With the lanced end up, snap-lock it into the matching collar on top of the fireplace. At all subsequent joints, the upper flue section fits into the preceding flue section. Each piece snaps together by means of locking tabs (7 locking tabs per joint). Check each piece by pulling up slightly from the top to ensure proper engagement before installing succeeding sections. If the flue has been installed correctly, it will not separate when you test it. Also, the inner flue joint where each section is joined should be tight and flat without gaps (Figure 32).

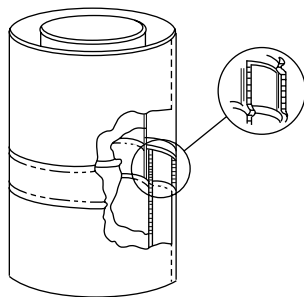


Figure 32

Outer pipe section installs in just the opposite way; the lanced end goes down and each new section goes OVER the outside of the previous section installed (Figure 33).

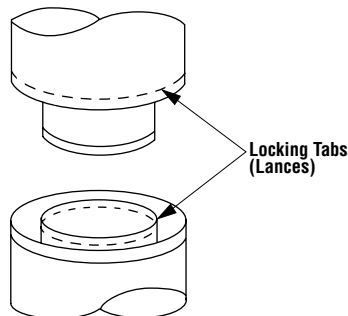


Figure 33

Note: Assemble one component of chimney at a time (inner section first, then outer section last) before proceeding with the next complete section.

Continue to assemble the chimney up through framed ceiling opening. Assemble just enough to penetrate the roof flashing openings (Figure 34). Always maintain 2" (51 mm) minimum air space to combustible materials and always check each pipe joint (inner and outer) to ensure proper engagement.

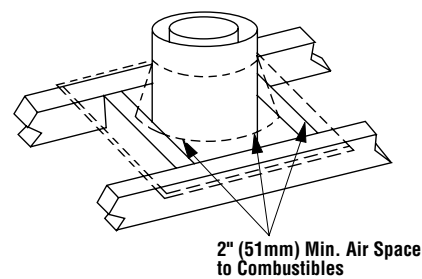


Figure 34

Check vertical alignment of chimney pipe so that it projects from the roof in a true vertical position. FireCraft chimney sections do not need to be screwed together. Additional reinforcement is not necessary, except in certain offset conditions (see to page 16, Figure 47).

Step 5. The height of vertical chimney pipe supported only by the fireplace must not exceed 30' (9.1 m). Chimney heights above 30' (9.1 m) must be supported by a Model FTF8-S4 stabilizer installed at 30' (9.1 m) intervals.

Note: The Model FTF8-S4 adds 3" (76 mm) net effective height to the total chimney system.

Install the Model FTF8-S4 stabilizer by fitting inner section down into respective section of proceeding flue pipe and locking outer stabilizer section into place over the outer chimney pipe. Position for proper clearance through framed opening and nail straps securely (under tension in "shear") into place on framing. Use 8d nails. Attach successive lengths of chimney pipe directly to stabilizer using same techniques as described in Step 4 (Figure 35).

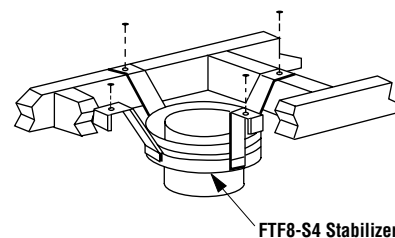


Figure 35

Note: Do not apply excessive pressure to any subsequent chimney sections following the stabilizer when installing. Ensure each subsequent chimney section is securely attached by testing as noted in Step 4.

Step 6. Select proper FireCraft roof flashing based on pitch of roof. Use chart below for selection:

Roof Pitch	FTF8
Flat to 6/12	F8-F6
6/12 to 12/12	F8-F12

Next, slide roof flashing over extended chimney section that previously has been installed above the roof opening in Step 4. FTF8 flashings require flashing spacers. Slide flashing all the way down until the flashing base rests flat on the roof (Figure 36). Again, check the vertical position of the chimney and the 2" (51 mm) minimum air space to combustibles.

Note: Do not caulk or seal the ventilating openings.

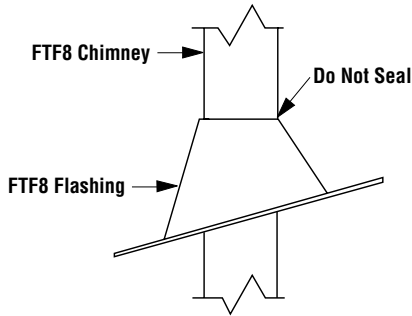


Figure 36

Step 7. Secure flashing by nailing along the perimeter into roof using 8d nails. If shingled roof, slide upper end and sides of roof flashing under shingles (trim if necessary), seal the top and both sides of the flashing to the roof with roof caulking. Cover nail heads with roof caulking (Figure 37).

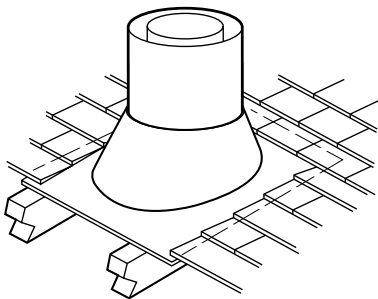


Figure 37

Step 8. The standard FireCraft FTF8 roof flashing assembly includes a storm collar. Slide storm collar over outer chimney, align with top surface of flashing, insert storm tab in slot, pull tight and bend tab back over slot. Seal storm collar to outer chimney with roof caulking or mastic around entire circumference of pipe. Also add extra roof caulking where storm collar meets flashing and to the tab/slot area to seal completely against water penetration (Figure 38).

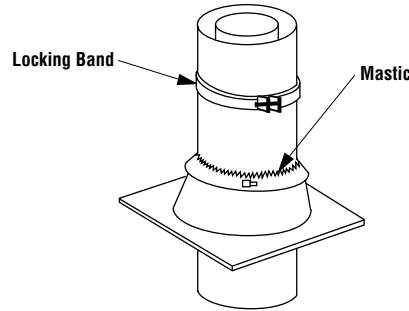


Figure 38

Step 9. FireCraft locking band, Model FLB, may be required if the chimney extends too high above the roof flashing. As a general rule, if the chimney extends more than 6' (1.8 m) above the roof/flashing, the use of locking bands is advisable to strengthen the chimney joints. Align the locking band at the pipe joint. Locking bands wrap around pipe joints equally covering the joints of both pipe sections. Use nut provided and TIGHTEN snugly. Do not over tighten as this might damage chimney section (Figure 38).

Note: If chimney extends more than 8' (2.4 m) above roof surface, guy wires are also recommended. Use three (3) guy wires, attach to locking band assembly, extend and secure to roof in a triangular pattern (Figure 39). Guy wires are not supplied by the manufacturer.

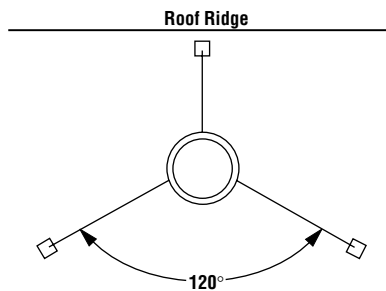


Figure 39

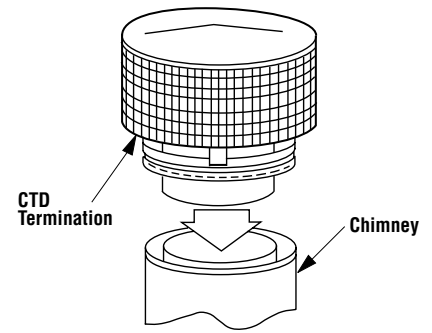


Figure 40

Step 10. Using an FTF8-CTD Round Termination:

1. Hold FTF8-CTD over top of last chimney section (Figure 40).
2. Center inner slip section in inner flue pipe-slip down.
3. Center outer locking section over outer flue pipe. Push down until locking tabs are firmly engaged.
4. Pull up slightly on CTD to ensure locking joint has firmly engaged.

Using a FTF8-CTDT Chase Termination:

Refer to specific installation instructions included with the FTF8-CTDT chase termination for clearance and installation details.

Using a FTF8-CT1 Chase Termination:

Refer to specific installation instructions included with FTF8-CT1 chase terminations for clearance and installation details.

Using a FTF8-CT2 Chase Termination:

Refer to specific installation instructions included with FTF8-CT2 chase terminations for clearance and installation details.

Note: It is recommended that all exterior exposed metal fireplace components; such as terminations, flashings, storm collars and/or flue be painted with a premium quality, high temperature, rust preventative paint designed for metal. This is especially important when installations are made in abnormally adverse or corrosive environments; such as near lakes, oceans or in areas with consistently high humidity conditions. Consult the paint manufacturers instructions for proper preparation and application.

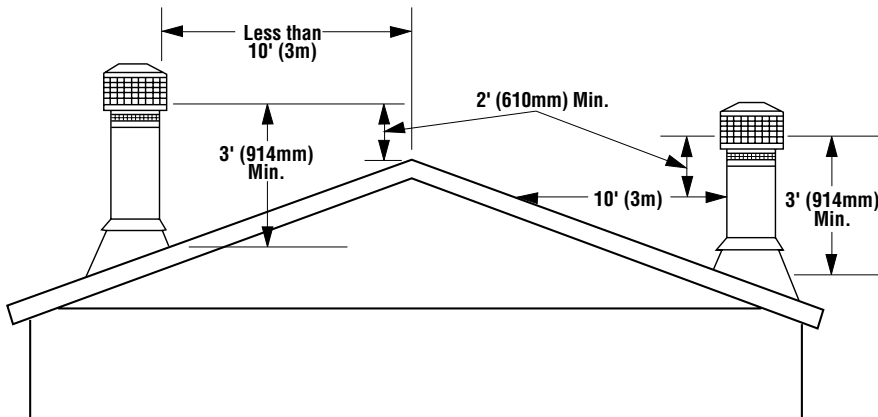


Figure 41

TEN FOOT RULE SUMMARY

The minimum chimney height above the roof and/or to adjacent walls and buildings is specified by all major building codes.

If the horizontal distance from the peak of the roof is less than 10' (3 m), the top of the chimney must be at least 2' (610 mm) above the peak of the roof.

If the horizontal distance from the chimney edge to the peak of the roof is more than 10' (3 m), a chimney height reference point is established on the roof surface located horizontally 10' (3 m) from the chimney edge. The top of the chimney must be at least 2' (610 mm) above this reference point. In all cases, the chimney cannot be less than 3' (914 mm) above the roof at the edge of the chimney.

The 2' in 10' rule is necessary in the interest of safety, but does not ensure smoke-free operation. Trees, buildings, adjoining roof lines, adverse wind conditions, etc., may require a taller chimney should the fireplace not draft properly (see Figure 41).

MULTIPLE TERMINATIONS

If more than one termination is located in the same chase or within the same general proximity, we suggest they should be separated in distance at least 24" (610 mm) horizontally from flue center to flue center and stacked or staggered vertically at least 18" (410mm) apart, from the termination of one smoke exit to the termination of another smoke exit (Figure 42).

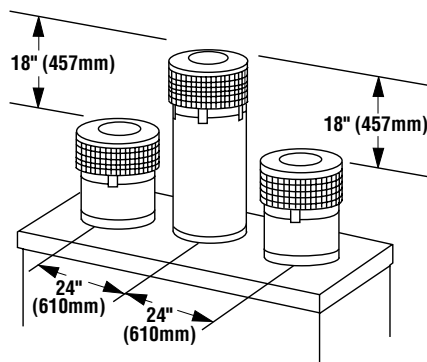


Figure 42

This suggestion is provided in the interest of better operation. If the terminations are located too close to each other, smoke may migrate from one flue into the other.

FTF8 CHIMNEY COMPONENT CALCULATIONS

The minimum installed height of the CST and CPF fireplace systems (including fireplace and chimney components) is 15' (4.6 m). 25' (7.6 m) with two offsets. The maximum system height is 80' (24.4 m).

To determine the number of chimney sections and chimney components required, follow these steps:

1. Determine total vertical height of the fireplace installation. This dimension is measured from the surface the fireplace sets on to the point where smoke exits from the termination.

2. Determine the number of chimney components required, except chimney sections. This would include firestop spacers, stabilizers, roof flashing, etc.

3. The effective heights of the components are:

CST/CPF Fireplace	=	48" (1219 mm)
FTF8-12	=	10 ¼" (260 mm)
FTF8-18	=	16 ¼" (413 mm)
FTF8-36	=	34 ¼" (870 mm)
FTF8-48	=	46 ¼" (1175 mm)
CTD Termination	=	4" (102 mm)
CT1 Termination	=	18" (457 mm)
CT2 Termination	=	15" to 23" (381 mm – 584 mm)
CTDT Termination	=	12" to 18" (305 mm – 457 mm)
S4 Stabilizer *	=	3" (76 mm)*

* Required for every 30' (9.1 m) of vertical chimney and 10' of offset chimney.

4. Determine amount of chimney height required by subtracting total combined height of all pre-selected components (fireplace and chimney components from total desired height.)

Reference Vertical Elevation Chart and determine the number of chimney sections (quantity and length) required.

SPECIAL OFFSET INSTRUCTIONS

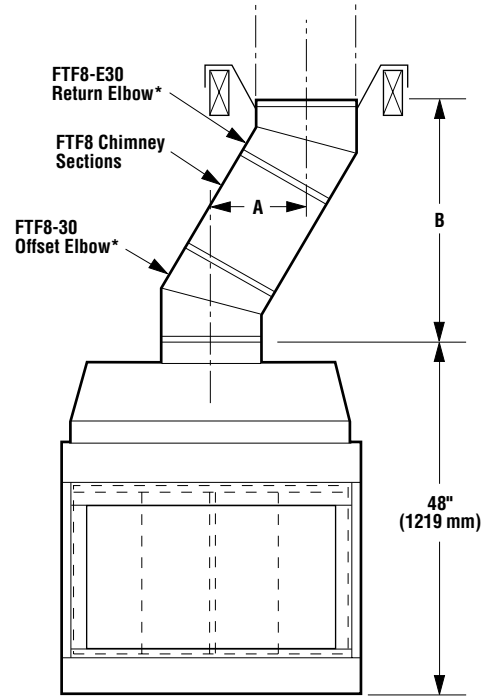
To clear any overhead obstructions, you may offset your chimney system using FireCraft 30° offset and return elbows. Use two elbows - an offset elbow to initiate the offset and a return elbow to terminate it. A 30° offset elbow, angling in any direction, may be the first component used off the top of the fireplace flue collar.

FTF8 VERTICAL ELEVATION CHART

Height Of Chimney Only		Number Of FTF8 Chimney Lengths				Height Of Chimney Only		Height Of Chimney Only		Number Of FTF8 Chimney Lengths				Height Of Chimney Only	
Inches	Feet/Inches	12"	18"	36"	48"	MM	M	Inches	Feet/Inches	12"	18"	36"	48"	MM	M
11	0 11	1	0	0	0	279	0.28	252	21 0	2	0	0	5	6401	6.40
17	1 5	0	1	0	0	432	0.43	258	21 6	1	1	0	5	6553	6.55
21 ¼	1 9 ¼	2	0	0	0	540	0.54	266	22 2	0	0	1	5	6756	6.76
27 ¼	2 3 ¼	1	1	0	0	692	0.69	276	23 0	1	0	1	5	7010	7.01
35	2 11	0	0	1	0	889	0.89	278	23 2	0	0	0	6	7061	7.06
47	3 11	0	0	0	1	1194	1.19	282	23 6	0	1	1	5	7163	7.16
51 ¼	4 3 ¼	0	1	1	0	1302	1.30	288	24 0	1	0	0	6	7315	7.32
57 ¼	4 9 ¼	1	0	0	1	1454	1.45	294 ¾	24 6 ¾	0	1	0	6	7487	7.49
63 ¼	5 3 ¼	0	1	0	1	1607	1.61	298 ¼	24 10 ¼	2	0	0	6	7576	7.58
67 ¼	5 7 ¼	2	0	0	1	1708	1.71	304 ¼	25 4 ¼	1	1	0	6	7728	7.73
73 ¼	6 1 ¼	1	1	0	1	1861	1.86	312	26 0	0	0	1	6	7925	7.93
81 ¼	6 9 ¼	0	0	1	1	2064	2.06	322 ¼	26 10 ¼	1	0	1	6	8185	8.19
93 ¼	7 9 ¼	0	0	0	2	2369	2.37	324	27 0	0	0	0	7	8230	8.23
97 ¼	8 1 ¼	0	1	1	1	2470	2.47	328 ¼	27 4 ¼	0	1	1	6	8338	8.34
102 ½	8 6 ½	1	0	0	2	2604	2.60	334 ¼	27 10 ¼	1	0	0	7	8490	8.49
109 ¼	9 1 ¼	0	1	0	2	2775	2.78	340 ¼	28 4 ¼	0	1	0	7	8642	8.64
113 ½	9 5 ½	2	0	0	2	2883	2.88	344 ½	28 8 ½	2	0	0	7	8750	8.75
119 ½	9 11 ½	1	1	0	2	3035	3.04	350 ½	29 2 ½	1	1	0	7	8903	8.90
127 ¼	10 7 ¼	0	0	1	2	3232	3.23	358 ¼	29 10 ¼	0	0	1	7	9100	9.10
137 ½	11 5 ½	1	0	1	2	3493	3.49	368 ½	30 8 ½	1	0	1	7	9360	9.36
139 ¼	11 7 ¼	0	0	0	3	3537	3.54	370 ¼	30 10 ¼	0	0	0	8	9404	9.40
143 ½	11 11 ½	0	1	1	2	3645	3.65	374 ½	31 2 ½	0	1	1	7	9512	9.51
149 ½	12 5 ½	1	0	0	3	3797	3.80	380 ½	31 8 ½	1	0	0	8	9665	9.67
155 ½	12 11 ½	0	1	0	3	3950	3.95	386 ½	32 2 ½	0	1	0	8	9817	9.82
159 ¾	13 3 ¾	2	0	0	3	4058	4.06	390 ¾	32 6 ¾	2	0	0	8	9925	9.93
165 ¾	13 9 ¾	1	1	0	3	4210	4.21	396 ¾	33 0 ¾	1	1	0	8	10077	10.08
173 ½	14 5 ½	0	0	1	3	4407	4.41	404 ½	33 8 ½	0	0	1	8	10274	10.27
183 ¾	15 3 ¾	1	0	1	3	4667	4.67	414 ¾	34 6 ¾	1	0	1	8	10535	10.53
185 ½	15 5 ½	0	0	0	4	4712	4.71	416 ½	34 8 ½	0	0	0	9	10579	10.58
189 ¾	15 9 ¾	0	1	1	3	4820	4.82	420 ¾	35 0 ¾	0	1	1	8	10687	10.69
195 ¾	16 3 ¾	1	0	0	4	4972	4.97	426 ¾	35 6 ¾	1	0	0	9	10839	10.84
201 ¾	16 9 ¾	0	1	0	4	5124	5.12	432 ¾	36 0 ¾	0	1	0	9	10992	10.99
206	17 2	2	0	0	4	5232	5.23	437	36 5	2	0	0	9	11100	11.10
212	17 8	1	1	0	4	5385	5.39	443	36 11	1	1	0	9	11252	11.25
219 ¾	18 3 ¾	0	0	1	4	5582	5.58	450 ¾	37 6 ¾	0	0	1	9	11449	11.45
230	19 2	1	0	1	4	5842	5.84	461	38 5	1	0	1	9	11709	11.71
231 ¾	19 3 ¾	0	0	0	5	5886	5.89	462 ¾	38 6 ¾	0	0	0	10	11754	11.75
236	19 8	0	1	1	4	5994	5.99	466 ¾	38 10 ¾	0	1	1	9	11855	11.86
242	20 2	1	0	0	5	6147	6.15	472 ¾	39 4 ¾	1	0	0	10	12008	12.01
248	20 8	0	1	0	5	6299	6.30	478 ¾	39 10 ¾	0	1	0	10	12160	12.16

OFFSET ELEVATION CHART

A Offset (Inches)	B Height (Inches)	FTF8-ES30 Offset/Return Elbow Set	FTF8-S4 Stabilizer	Number of FTF8 Chimney Sections				A Offset (mm)	B Height (mm)
				12"	18"	36"	48"		
4	15 3/4	1	0	0	0	0	0	102	400
9	24 1/2	1	0	1	0	0	0	229	622
12	29 3/4	1	0	0	1	0	0	305	756
14 1/4	33 1/2	1	0	2	0	0	0	362	851
17 1/4	38 1/2	1	0	1	1	0	0	438	978
20 1/4	43 3/4	1	0	0	2	0	0	514	1111
21	45 1/4	1	0	0	0	1	0	533	1149
22 1/4	47 1/2	1	0	2	1	0	0	565	1207
25 1/4	52 1/2	1	0	1	2	0	0	641	1334
26 1/4	54 1/4	1	0	1	0	1	0	667	1378
27	55 3/4	1	0	0	0	0	1	686	1416
28 1/4	57 3/4	1	0	0	3	0	0	718	1467
29 1/4	59 1/4	1	0	0	1	1	0	743	1505
31 1/4	63	1	0	2	0	1	0	794	1600
32 1/4	64 1/2	1	0	1	0	0	1	819	1638
34 1/4	68 1/4	1	0	1	1	1	0	870	1734
35 1/4	69 3/4	1	0	0	1	0	1	895	1772
37 1/4	73 1/4	1	0	0	2	1	0	946	1861
38 1/4	75	1	0	0	0	2	0	972	1905
39 1/4	77	1	0	2	1	1	0	997	1956
41 1/2	80 1/2	1	0	1	4	0	0	1054	2045
43 1/4	83 3/4	1	0	1	0	2	0	1099	2127
44 1/4	85 1/4	1	0	0	0	1	1	1124	2165
45 1/4	87 1/2	1	0	0	3	1	0	1149	2223
46 1/4	89	1	0	0	1	2	0	1175	2261
48 1/4	91 1/2	1	0	2	0	2	0	1226	2324
49 1/4	94 1/4	1	0	1	0	1	1	1251	2394
50 1/4	95 3/4	1	0	0	0	0	2	1276	2432
51 1/4	97 3/4	1	0	1	1	2	0	1302	2483
54 1/4	103	1	0	0	2	2	0	1378	2616
55 1/4	104 1/2	1	0	1	0	0	2	1403	2654
56 1/2	106 1/2	1	0	2	1	2	0	1435	2705
58 1/4	109 3/4	1	0	0	1	0	2	1480	2788
62 1/2	116 3/4	1	1	1	0	3	0	1588	2965
65 1/2	122	1	1	0	1	3	0	1664	3099
67 3/4	125 1/2	1	1	2	0	3	0	1721	3188
69 1/2	128 3/4	1	1	0	0	1	2	1765	3270
70 3/4	130 3/4	1	1	1	1	3	0	1797	3321
73 3/4	136	1	1	0	2	3	0	1873	3454
75 1/2	139	1	1	0	0	0	3	1918	3531
79 3/4	146 1/4	1	1	1	0	4	0	2026	3715
80 3/4	148	1	1	1	0	0	3	2051	3759
82 3/4	151 1/2	1	1	0	1	4	0	2102	3848
83 1/2	153	1	1	0	1	0	3	2121	3886



* Part of Offset/Return Package, Model FTF8-ES30.

Figure 43

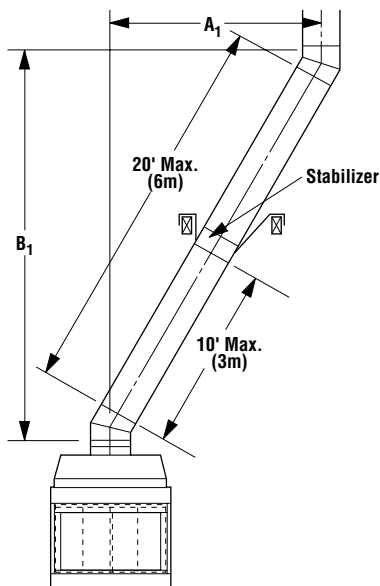


Figure 44

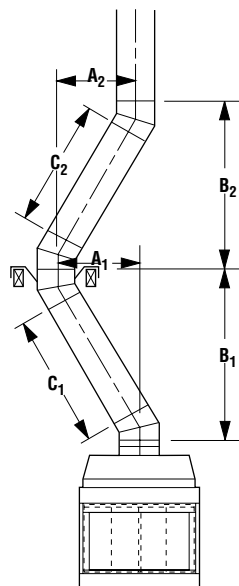


Figure 45

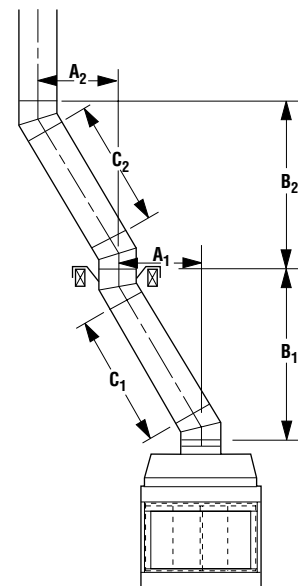


Figure 46

NOTE: DIAGRAMS & ILLUSTRATIONS NOT TO SCALE.

The offset and return elbows may be attached together, or a section or sections of chimney may be used between, but do not exceed 20' (6.1 m) in total length between elbows (*Figure 44*). If sections of pipe exceed 10' (3 m) between elbows, a chimney stabilizer must be used at the midpoint. The stabilizer support straps must be attached under tension (in shear) to structural framing members above. When two sets of offset elbows are used, the maximum combined length of chimney used between elbows cannot exceed 20' (6.1 m) (*Figures 45 and 46*). **Example:** If $C_1 = 10'$ (3m) then C_2 cannot exceed 10' (3 m).

If an offset exceeds 6' in length, each chimney joint beyond the first 6' of offset to the return elbow, must be secured by a No. 8 x 1/2" sheet metal screw located at the underside of the joint (*Figure 47*).

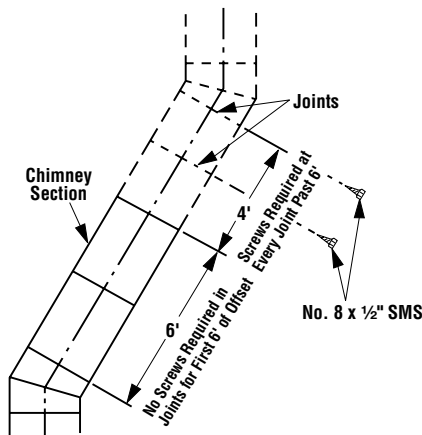


Figure 47

A 1/8" (3 mm) diameter hole must be drilled in the chimney joint using a 1/8" (3 mm) diameter drill. Hole should be drilled in center of joint overlap (*Figure 48*). Be sure to drill only through the outer chimney casting. Do not puncture the inner flue.

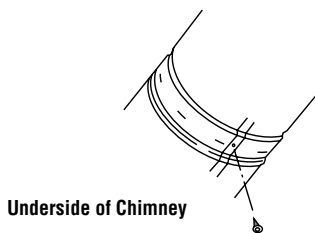


Figure 48

Maximum offset of the chimney system is 30°. Two offset elbows must not be assembled to form a 60° offset. However, two sets of offset and return elbows may be used on a single flue system, provided the total height of the system exceeds 25' (7.6 m).

Return elbow support straps must be securely attached under tension (in shear) to structural framing members above.

OFFSET CALCULATIONS

1. Use Offset Chart to determine amount of horizontal offset (A) and height (B) for various chimney sections.
2. Use "Height of Chimney Only" column to determine combinations of pipe used above return elbow to achieve desired heights. Reference Components Effective Height Chart in vertical elevation chart section.
3. Use Elevation Chart as job estimator only. Add necessary firestop spacers and stabilizers as required. Firestop spacers must be used as shown in *Figures 29 and 30* and stabilizers as shown in *Figure 35*.

INSTALLING OFFSETS

First, review Offset Elevation Chart and *Figure 43* on page 15 for reference.

Step 1. Determine the offset distance where chimney is to pass through the first ceiling-dimension "A." To find this point on your ceiling, first determine the center point for a vertical chimney following the instructions for vertical installation.

Measure height to the ceiling from the top of fireplace-dimension "B." Use Offset Elevation Chart to find dimension "A." Mark point where you will drive your nail to show the center point for your offset ceiling cut.

Step 2. Proceed by using the Straight Up Installation Instructions for cutting and framing ceiling and roof openings.

Note: See "Framing and Dimension" Chart for the sizes of the ceiling and roof openings. The size of the roof opening varies with the degree of pitch of the roof.

OFFSET ELBOW ASSEMBLY

Offset elbows install the same as chimney sections. First, snap the inner section INTO the preceding inner section of flue. Check connection by pulling up slightly to ensure a tight fit. Next, the outer sections snap locks OVER the preceding outer section of chimney. Again, check outer section by pulling up slightly to ensure proper connection is made.

RETURN ELBOW ASSEMBLY

Return elbows install the same way as round terminations and stabilizers:

- Step 1.** Hold return elbow over top of last chimney section.
- Step 2.** Center inner slip section into inner flue pipe-slip down.
- Step 3.** Center outer locking section over outer chimney pipe-push down until locking joint has firmly engaged.
- Step 4.** Pull up slightly on return elbow to ensure locking joint has firmly engaged.
- Step 5.** Secure support straps to framing members by nailing under tension in shear (*Figure 49*).

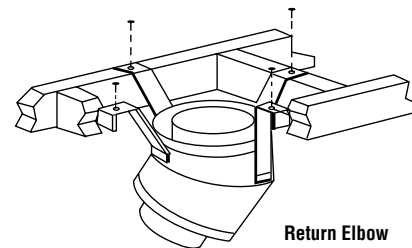


Figure 49

Note: The return elbow assembly performs the same function as a stabilizer. Consider this when determining the need for a stabilizer.

Note: Do not apply excessive pressure to any subsequent chimney section following return elbow assembly when installing. Ensure subsequent chimney sections are securely attached by testing as noted above.

CHIMNEY OFFSET 30° THROUGH FLOOR OR CEILING

It may be necessary to assemble the chimney at 30° when passing through the floor or ceiling area. Use the F8FS30-2 firestop spacer as shown in *Figures 50 and 51*.

Support the chimney at floor or ceiling penetration with a FTF8 stabilizer if distance of chimney below ceiling is 10' (3 m) or more. Maintain 2" (51 mm) minimum air space to combustibles from chimney sections. The chimney must pass vertically through the attic space.

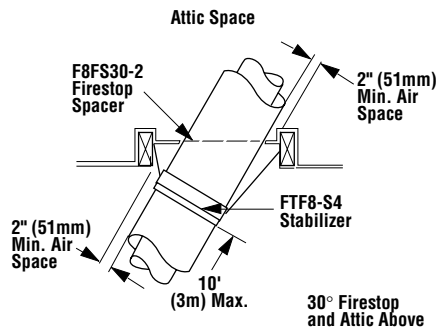


Figure 50

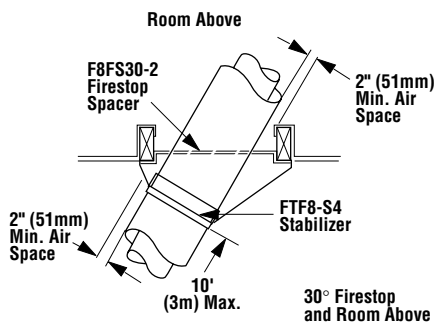


Figure 51

GLASS DOORS

Both the CST and CPF fireplaces require the use of glass doors. The selection of glass doors available for use with these fireplaces are: 38ABF, 38ABF-BB and 38TBA-BB. For the CPF system, end panels model 38AEP and 38AEP-BB are available. Refer to the Suggested List Price Sheet. The use of any other non-listed door on these fireplaces may result in a potential fire hazard and is not recommended.

IMPORTANT: IT IS NECESSARY TO ORDER AND INSTALL THE DOOR STYLE OF YOUR CHOICE. GLASS DOORS ARE NOT OPTIONAL.

CAUTION: REMOVE THE PLASTIC PROTECTIVE COATING FROM THE DOORS BRASS PIECES BEFORE ASSEMBLY AND INSTALLATION. FAILURE TO REMOVE THE COATING BEFORE FIRST USE WILL RESULT IN DAMAGE TO THE BRASS FINISH.

Make a careful inspection of all parts before installing the doors to insure they are undamaged and complete. There will be two (2) glass door assemblies for both sides of the CST-38 fireplace and two (2) glass door assemblies plus one (1) end panel for the CPF-38 fireplace.

CAUTION: DO NOT TOUCH THE DOORS WITH YOUR HANDS WHILE THE FIREPLACE IS IN USE. ALWAYS USE DOOR HANDLES. DOORS WILL BECOME VERY HOT WHEN FIREPLACE IS IN USE.

Note: Design characteristics of a dual-opening fireplace (whether masonry or factory-built) may cause it to not draft properly and smoke. For this reason, glass doors are required with Models CST-38 and CPF-38 fireplaces.

WARNING: THESE FIREPLACES SHOULD BE OPERATED ONLY WITH THE DOORS FULLY CLOSED (FIGURE 52).

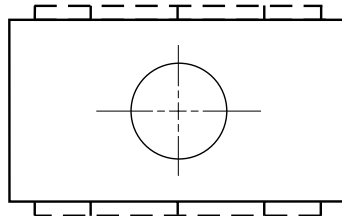


Figure 52

OPTIONAL EQUIPMENT Combustion Air Kit

Use combustion air kit, Model AK-4 or AK-4LD (*Figure 53*), with these fireplace systems. Refer to installation instructions packed with the air kit for specific information. Outside air drawn into the fireplace supplies air to the fire for combustion. The outside air kit must be installed before the fireplace is framed and enclosed in the finished walls.

There is a one-hand operated shut-off valve located in the enclosed corner of the fireplace opening behind the screen. Refer to label for directions of operation. The combustion air damper should be fully open when the fireplace is in operation and fully closed when the fireplace is not in use to prevent outside air from entering your home.

If additional length of duct is necessary, purchase locally available Class 0 or Class 1 ducting. The duct may extend up to 50' (15.2 m) in any direction.

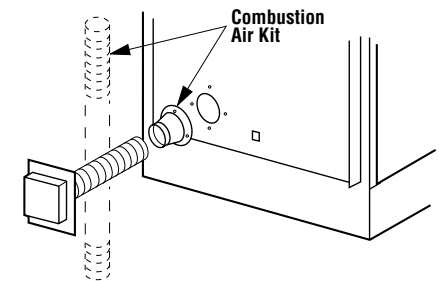


Figure 53

Outside combustion air may be run upwards or vertically through framing and ceiling joists, with the hood installed through an outside wall and 3' (914 mm) below the termination. Ducting may also be run downward through floor joists and under the home to a ventilated crawlspace not considered part of the living area of the home.

CAUTION: NEVER LOCATE THE AIR INLET WHERE IT COULD BE BLOCKED BY SHRUBS, SNOW DRIFTS, ETC. NEVER LOCATE THE AIR INLET IN GARAGE OR ANY AREA WHERE THERE IS ANOTHER FUEL BURNING APPLIANCE OR PRODUCTS EMITTING COMBUSTIBLE GASES SUCH AS PAINT, GASOLINE, ETC. IN COLD CLIMATES, IT IS RECOMMENDED THAT THE COMBUSTION AIR DUCT BE INSULATED.

Note: Do not terminate combustion air kit in attic space under any circumstances.

CAUTION: IN NO EVENT MAY THE TOTAL DUCT FOR BRINGING IN OUTSIDE AIR EXCEED 50' (15.2 M).

GAS LINE INSTALLATION

The CST and CPF fireplaces have been approved to accept a 1/2" (13 mm) gas line for an approved gas appliance. Always have the appliance installed by a qualified, licensed plumber in accordance with all local building codes. The gas line may enter either end of the fireplace.

CAUTION: PLUMBING CONNECTIONS SHOULD ONLY BE PERFORMED BY A QUALIFIED, LICENSED PLUMBER. MAIN GAS SUPPLY MUST BE OFF WHEN PLUMBING GAS LINE TO FIREPLACE OR PERFORMING SERVICE.

If you're installing a gas line, connect it before the fireplace is framed and enclosed in the finished wall. The gas knockout is determined by a 1 1/8" (29 mm) round indentation located at the bottom and slightly off center in the side refractories. **THE KNOCKOUT IS ALWAYS REMOVED FROM INSIDE THE FIREPLACE. DO NOT REMOVE THE KNOCKOUT UNLESS YOU ARE INSTALLING A GAS LINE.** If removal is attempted from the outer wrapper, side-refractory damage may occur. With a medium-sized hammer, lightly tap the surface of the indentation. The refractory material is very thin in this area and is easily removed. Once a small hole has been made, continue tapping until you have reached sufficient diameter for the gas line to fit through. The entire knockout does not have to be removed. Remove insulation in the gas line channel.

Install only a 1/2" (13 mm) black iron pipe through fireplace wall for connection to a decorative gas appliance inside the firebox. Outside, the iron pipe must connect to a gas shut-off valve usually recessed flush into the wall or floor. The valve should be controlled by a removable valve key for safety.

Always plumb gas line installation per local codes. Check all connections with soap suds; leaks will bubble. Never test any gas line connection with a match or open flame.

IMPORTANT: REPACK INSULATION MATERIAL IN SQUARE HOLE AROUND GAS LINE, INTERIOR AND EXTERIOR, TO SEAL.

In Canada, this provision is intended for connection to a decorative gas appliance only in accordance with the latest National Gas Installation Code, CAN 1-B149.1. This complies with the ULC S610 standard.

For all areas other than Canada, this provision is intended only for connection to a decorative gas appliance incorporating an automatic shut-off device and complying with the standard for Decorative Gas Appliances for installation in vented fireplaces, ANSI Z21.60. Install in accordance with the National Fuel Gas Code, ANSI Z223.1.

CAUTION: WHEN USING THE DECORATIVE GAS APPLIANCE, THE FIREPLACE DAMPER MUST BE SET IN THE FULLY OPEN POSITION.

COLD CLIMATE INSULATION

If you live in a cold climate, it is especially important to seal all cracks around the fireplace and wherever cold air could enter the room with noncombustible material. Surround material must be caulked where it meets the black metal facing of the fireplace to avoid cold air intrusion. Use noncombustible caulking material only on fireplace facing to seal. Also, the outside air inlet duct should be wrapped with noncombustible insulation to minimize the formation of condensation. Do not place insulation materials directly against the chimney sections.

Note: 2" (51 mm) air space must be preserved for all materials extending for any continuous length adjacent to the chimney.

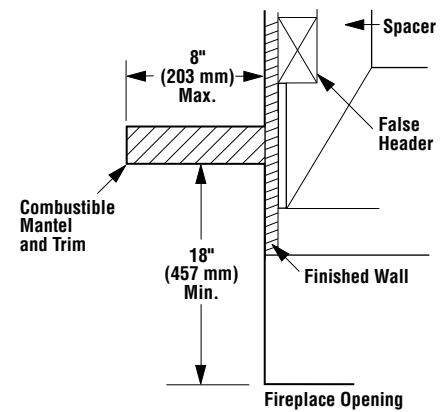
It is especially important to insulate between the studs of an outside chase cavity and under the floor if the floor is above ground level. Do not place insulation directly against the fireplace or chimney system.

FIREPLACE FINISHES Mantels and Trim

It is sometimes best to frame your fireplace after it is positioned and the chimney is installed. Frame enclosure for chimney and fireplace with 2 x 4's (or heavier) lumber.

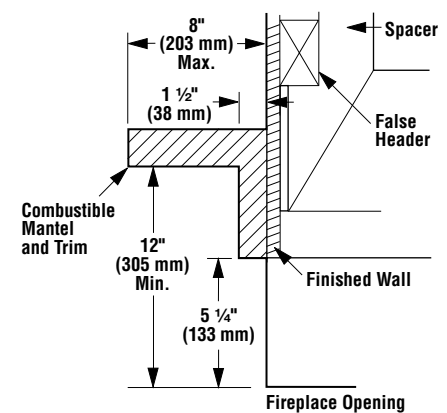
Note: The header may rest on the two (2) metal top spacers on top of the unit but the header must not be notched to fit around the spacers.

In Canada, the minimum height for a combustible mantel is 18" (457 mm) above the opening. *Figure 54* shows typical Canadian installation. In installations other than Canada, combustible mantels and trim may be installed 12" (305 mm) above the opening as per NFPA 211, Section 7-3.3.3. and *Figure 55*. If a mantel is of a noncombustible material, it is exempt from the requirements as long as it does not interfere with the operation of glass doors.



Typical Canadian Installation

Figure 54



Typical U.S. Installation

Figure 55

Hearth Extensions and Wall Shields

A hearth extension must be installed with all fireplaces. Its purpose is twofold. It protects a combustible floor in front of the fireplace from both radiant heat and sparks and it distinguishes the prescribed hearth extension area from other non-protected surfaces.

The hearth extension must extend beyond the front and both sides of the CPF-38 and CST-38 fireplace side openings. A hearth extension on the end opening of the CPF-38 fireplace is optional. Use a hearth extension constructed of a durable noncombustible material having an equal or greater insulating value of $k = .84$ BTU IN/FT² HR °F or a thermal resistance that equals or exceeds $r = 1.19$ HR °F FT²/BTU IN. A minimum 3/8" (10 mm) thick noncombustible material is all that is required over a noncombustible or slab floor.

If there is a continuous perpendicular side wall closer than 18" (mm) from the CST-38 fireplace opening, it must be protected with a 40 x 40" x 1/2" (1016 mm x 1016 mm x 13 mm) wall shield constructed of millboard or a durable noncombustible material with an equal or greater insulating value than $k = .84$ BTU IN/FT² HR °F or a thermal resistance that equals or exceeds $r = 1.19$ HR °F FT²/BTU IN. A continuous side wall can not be closer than 7" (178 mm) from the nearest side of the CST-38 fireplace.

Secure the hearth extension to the floor to prevent possible shifting.

A continuous perpendicular combustible side wall can not be closer than 7" (178 mm) from the nearest side of the CPF-38 fireplace. A wall shield is not required.

Note: Any noncombustible material whose k value is less than .84 or whose r value is more than 1.19 is acceptable.

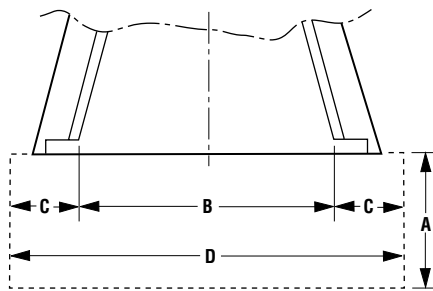


Figure 56

Hearth Extension Dimensions

	CST-38	CPF-38
A	16" (406 mm)	16" (406 mm)
B	28 1/2" (724 mm)	32 1/2" (826 mm)
C	8" (203 mm)	8" (203 mm)
D	46" (1168 mm)	46" (1168 mm)

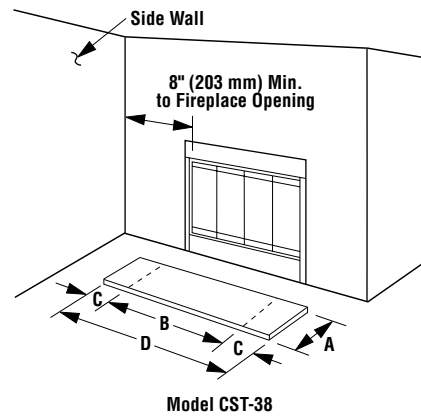


Figure 57

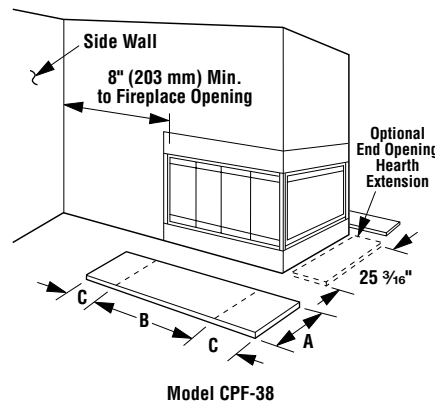


Figure 58

Methods of Determining Hearth Extension and Wall Shield Equivalents

To determine the thickness required for any material when either the k or r values are known:

- T_M = Thickness of material in inches
- k_M = K value of desired material
- r_M = R value of desired material
- T_L = Minimum listed thickness

Example: Micore CV230 is to be used for the hearth extension fireplace. How thick must this material be?

Using the k formula:

$$\text{Desired Thickness} = \frac{k \text{ value of desired material (per inch)}}{k \text{ value of listed Material (per inch)}} \times \text{Min. thickness of Listed Material}$$

$$T_M \text{ (inches)} = \frac{k_M}{.84} \times T_L$$

$$T_M \text{ (inches)} = \frac{0.43^*}{0.84} \times 1"$$

Answer using $k = 0.51 \times 1" = 0.51 = 1/2"$
1/2" thickness Micore will be required.

Using the r formula:

$$\text{Desired Required Thickness} = \frac{r \text{ value of listed material (per inch)}}{r \text{ value of desired material (per inch)}} \times \text{Min. thickness of Listed Material}$$

$$T_M \text{ (inches)} = \frac{1.19}{r_M} \times T_L$$

$$T_M \text{ (inches)} = \frac{1.19}{2.33^*} \times 1"$$

Answer using $r = 0.51 \times 1" = .051 = 1/2"$
1/2" thickness Micore will be required.

At times it is important to know what combination of materials are acceptable for use as hearth extensions. The "R values" are used to determine acceptable combinations of materials because "R values" are additive where r and k values are not.

Alternative Hearth Extension and Wall Shield Materials

Listed Material	Values		Min. Thick
	k	r	T_L
Millboard	.84	1.19	1"
Alternative Materials	Values		Min. Thick
	k	r	T_M
Wonderboard	1.92	0.56	2 1/4"
Common brick	5.00	0.20	6"
Cement mortar	5.00	0.20	6"
Ceramic tile	12.5	0.08	14 7/8"
Marble	11.0	0.09	13 1/8"
Micore CV230 (U.S. Gypsum)	0.43	2.33	1/2"
Ceraform 126 (Johns-Manville)	0.27	3.70	3/8"

"R value" = $\frac{1}{k} = r \times \text{thickness of material used}$

Example: Given that the required "R value" for a suitable hearth extension used must be equal to or greater than:

$$"R" = r \times T_L = 1.19 \times 1" = 1.19.$$

If it is desired to elevate a marble hearth extension to a level of 5" or more above the floor surface. What combination of noncombustible materials can be used to accomplish this?

If common brick is used so that the 3 1/2" dimension is the height, "R" for the common brick becomes:

$$"R"_{\text{M}} = r \times T_{\text{M}} = 0.20 \times 3 \frac{1}{2}" = .70$$

Using 1/2" of mortar to set the brick, "R" for the mortar is calculated as follows:

$$"R"_{\text{M}} = r \times T_{\text{M}} = 0.20 \times \frac{1}{2}" = .10$$

A 3/4" marble slab set in 1/2" mortar covers the brick, "R" for the marble and mortar becomes:

$$"R"_{\text{M}} = r \times T_{\text{M}} = 0.09 \times \frac{3}{4}" = .068$$

$$"R"_{\text{M}} = r \times T_{\text{M}} = 0.20 \times \frac{1}{2}" = .10$$

The sum of all "R values" is:

$$.70 + .10 + .068 + .10 = .968$$

This would not be an acceptable combination of material for the hearth extension since the total calculated "R value" of the materials used is under the required "R value" of 1.19. An additional layer of insulating materials must be used.

WARNING: THE CRACK BETWEEN THE FIREPLACE AND THE HEARTH EXTENSION MUST BE SEALED WITH A NON-COMBUSTIBLE MATERIAL.

WARNING: WHEN INSTALLING THE HEARTH EXTENSION BE CAREFUL NOT TO BLOCK THE HEAT-CIRCULATING AIR INLET GRILL.

WARNING: WHEN INSTALLING HEARTH EXTENSION IN FRONT OF THE FIREPLACE, THE FIREPLACE MUST BE RAISED IF HEIGHT OF HEARTH EXTENSION EXCEEDS 5 3/4" ABOVE BOTTOM OF FIREPLACE (FIGURE 59).

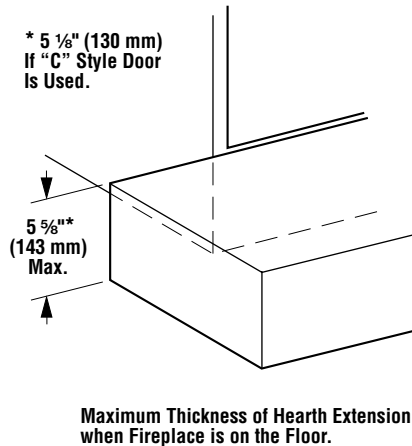


Figure 59

FINISH TO YOUR TASTE

There are a wide variety of "finished looks" for your CST and CPF fireplace from formal wall decor with elaborate mantels to rustic wood paneling or warm brick facings.

Only noncombustible materials like marble, stone, tile, brick, etc. may overlap the black front facing, but be careful not to interfere with the operation of the glass doors. Seal all joints between the black facing and wall surrounds to prevent cold air intrusion. Use noncombustible caulking material only to seal the black metal facing to the surround material on the finished wall.

Combustibles may also project beyond the sides of the fireplace opening as long as they are kept within the shaded areas, as illustrated in Figures 60 and 61.

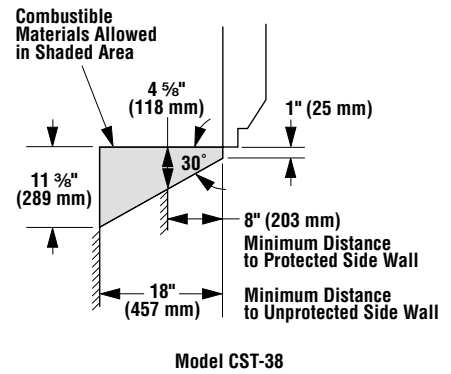


Figure 60

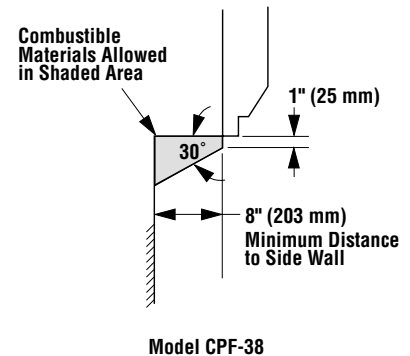


Figure 61

ACCESSORY PARTS AND COMPONENTS LIST FOR MODELS CST-38 AND CPF-38

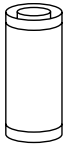
The accessory parts and components shown on pages 21 and 22 are to be used only with your CST-38 and CPF-38 fireplace systems. Separate installation instructions are packaged with all combustion air kits and chimney terminations.

If you encounter any problems or have questions concerning the installation or application of this system, please contact your distributor. For the name of your nearest distributor call:

LENNOX HEARTH PRODUCTS
1110 West Taft Avenue
Orange, CA 92865

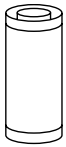
Model	Part Number	Weight
CST-38	051991	215 lbs.
CPF-38	052011	210 lbs.

ACCESSORIES AND COMPONENTS



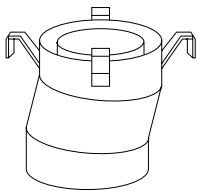
Chimney Section
 63L10
 63L13
 63L14
 63L15

FTF8-12
 FTF8-18
 FTF8-36
 FTF8-48



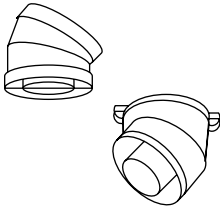
Canadian (Outside) Chimney Section
 62L92
 62L93

FTF8-18C
 FTF8-36C



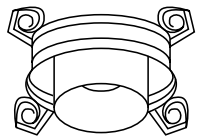
Offset/Return Elbow
 63L28

FTF8-OR15



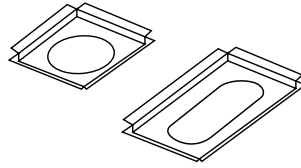
Offset/Return Package (Canada Only)
 63L22
 63L69

FTF8-ES30
 FTF8-ES45C



Stabilizer
 63L25

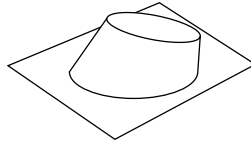
FTF8-S4



Firestop Spacer (Flat)
Firestop Spacer (30°)

63L31
 63L32

F8FS-2
 F8FS30-2



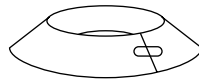
Flashing
 63L38
 63L39

F8F6
 F8F12



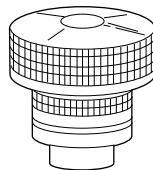
Locking Band
 63L60

FLB



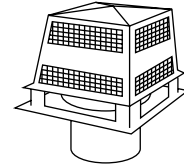
Storm Collar
 63L59

FSC



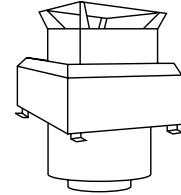
Round Termination
 63L42

FTF8-CTD



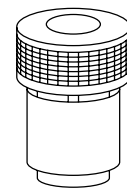
Pyramid Chase Termination
 63L48

FTF8-CT1



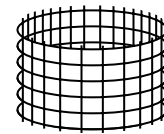
Square Chase Termination
 63L51

FTF8-CT2



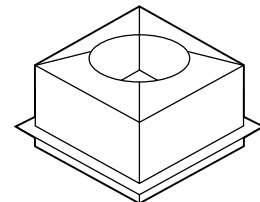
Round Chase Termination
 63L45

FTF8-CTDT



Spark Arrester (CT2 Termination)
 63L57

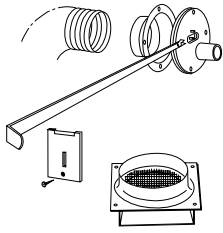
FSA-2



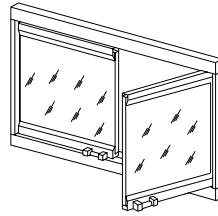
Attic Shield Firestop Spacer (Canadian)
 63L57

FTF8-FSAS

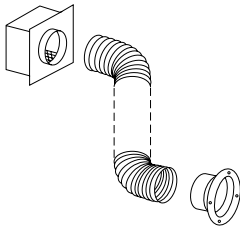
ACCESSORIES AND COMPONENTS



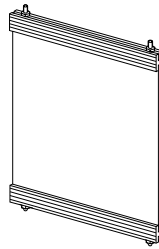
**Combustion Air Kit
(Less Duct)** **011761** **AK-4**
011763 **AK-4LD**



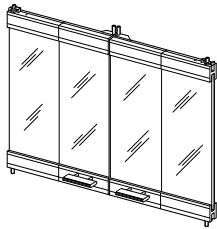
"All-Glass™" **38TBA-BB**
Cabinet Doors



**Chimney Air Kit
(less duct)** **81L87** **FOAK-4**
81L88 **FOAK-4LD**



"All-Glass™" **38AEP**
Aluminum End Panel **38AEP-BB**



"All-Glass™" **38ABF**
Aluminum Doors **38ABF-BB**

The manufacturer reserves the right to make changes at any time, without notice, in design, materials, specifications, prices and also to discontinue colors, styles and products. Consult your local distributor for fireplace code information.

Printed in U.S.A. © 2001 by LENNOX
P/N 700,023M REV. N/C 07/2001

LENNOX[®]

HEARTH PRODUCTS

1110 West Taft Avenue
Orange, CA 92865