

FIREPLACE SPECIFICATIONS

Product Reference Information			
Cat. No.	Model	Ship. Weight	Ship. Volume
H4629	CST38MH	237 lb.	29.6 cu. ft.

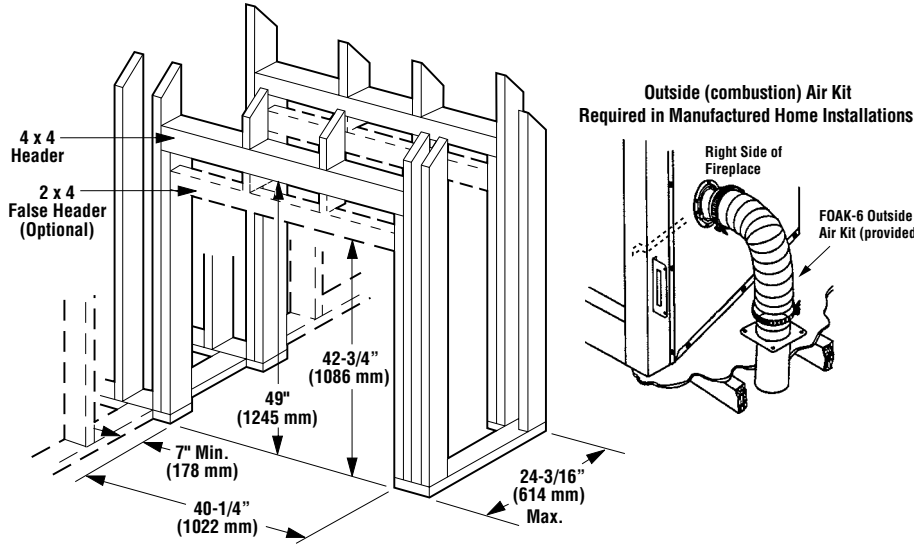
Notes

Due to Lennox' ongoing commitment to quality, all specifications, ratings and dimensions are subject to change without notice.

All framing dimensions calculated for 1/2" drywall at the fireplace face. If sheathing the chase or finishing with other thickness materials, calculations will need to be made.

See Page 8 for Ceiling and Roof Framing Dimensions

Diagrams & Illustrations Not to Scale



Tested & Listed By **O-TL** Beaverton Oregon USA
 OMNI-Test Laboratories, Inc.
 OTL Report No. 116-F-20-4

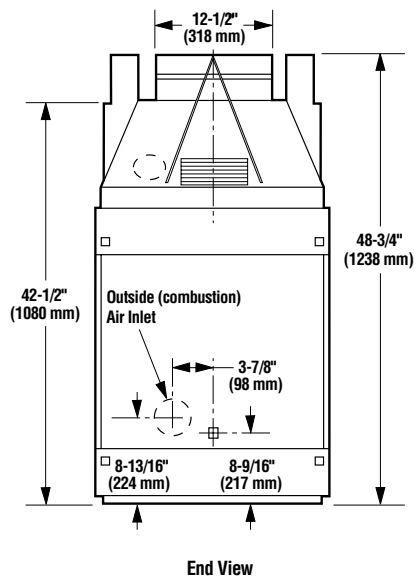
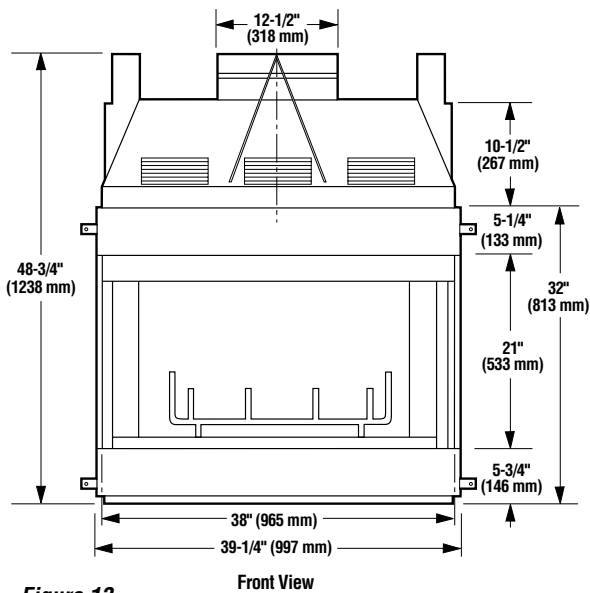
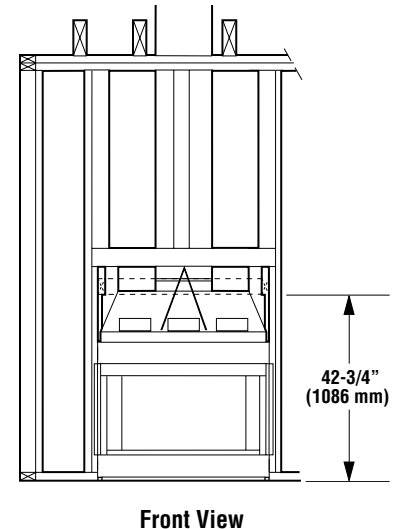
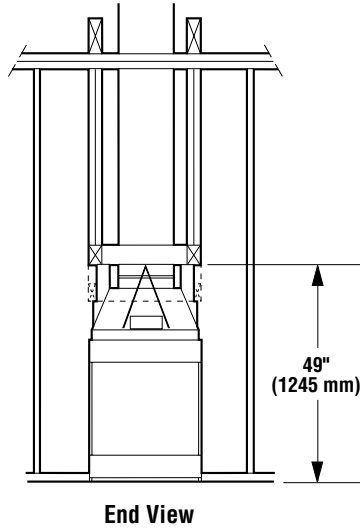
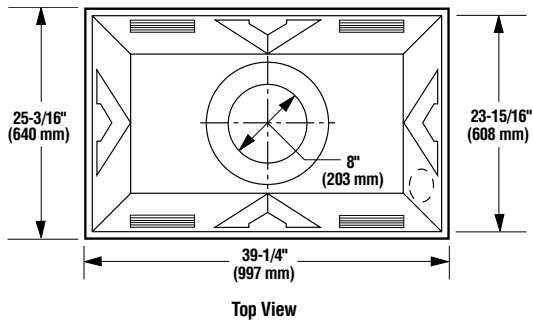


Figure 13

NOTE: DIAGRAMS & ILLUSTRATIONS ARE NOT TO SCALE.