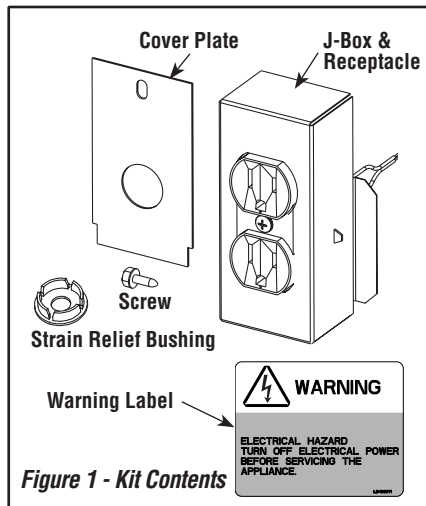


**INSTALLATION INSTRUCTIONS FOR JUNCTION BOX KITS FOR USE WITH UVF-36,
UVFRC-3628, UVFRC-3628-H UVFRC-4228 & UVFRC-4228-H UNIVERSAL VENTFREE FIREBOXES**

KIT CONTENTS:

- 1 ea. Junction Box
(with electrical outlet receptacle)
- 1 ea. Bushing
- 1 ea. Cover Plate
- 1 ea. Screw
- 1 ea. Warning Label
- 1 ea. Instruction Sheet

| Junction Box Kit | | |
|------------------|-----------|---|
| CAT. NO. | MODEL NO. | WHERE USED |
| H1958 | JBK | UVF-36, UVFRC-3628, UVFRC-3628-H, UVFRC-4228 & UVFRC-4228-H |



TOOLS / SUPPLIES NEEDED:

- 5/16" Nut Driver or Socket
- Leather Gloves
- Wire Stripper / Cutter

GENERAL INFORMATION

The *JBK Junction Box (J-Box) Kit* is designed to be used when an optional *FBK-100* or *FBK-200 Blower Kit* is to be installed.

ALL WARNINGS, PRECAUTIONS AND INSTRUCTIONS PROVIDED IN THE INSTALLATION AND OPERATION MANUAL PROVIDED WITH THE APPLIANCE AND THE INSTRUCTIONS PROVIDED WITH THE BLOWER KIT APPLY TO THESE INSTRUCTIONS. THOROUGHLY READ AND FOLLOW THE INSTRUCTIONS PROVIDED WITH THE APPLIANCE AND THE BLOWER KIT (700,032M & 750,028M) BEFORE PROCEEDING TO THE FOLLOWING INSTRUCTIONS.

CAUTION
Leather gloves should be worn during installation to prevent injury or cuts to the hands!

IMPORTANT
All electrical wiring must be performed by licensed Electricians. Electrical wiring must comply with the National Electrical Code ANSI/NFPA 70 - latest edition.
Main power must be off when connecting to main electrical power supply or performing service.

IMPORTANT
The *Ground Lead* must be connected to the green screw (located on the junction box). Failure to do this could result in an electrical short or shock injury.
The appliance must be electrically grounded in accordance with local codes or, in the absence of local codes, the national electrical code, ANSI/NFPA 70-(latest edition). (In Canada, the current CSA C22-1 Canadian Electrical Code).

INSTALLATION INSTRUCTIONS

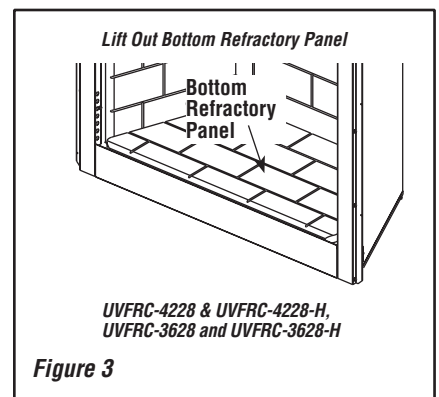
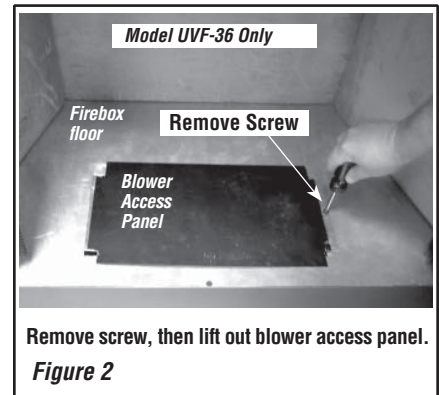
Step 1. Follow the instructions below for the model you are installing:

Model UVF-36:

Using a screwdriver remove the screw from the blower access panel as shown in *Figure 2*. Slide the panel to the right until the flange clears the opening. Remove the panel and set aside.

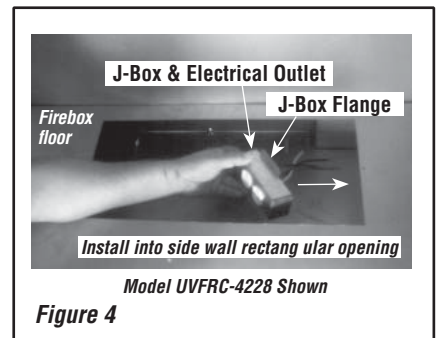
Models UVFRC-3628, UVFRC-3628-H, UVFRC-4228 & UVFRC-4228-H:

Lift out the bottom refractory panel (see *Figure 3*).



Step 2. Remove the rectangular knock-out (for J-Box) on the right side of firebox. Install the Junction Box & Electrical outlet below the firebox floor into the rectangular opening on the right side cabinet panel where you removed the knock-out (see *Figures 4, 5 & 8*).

Note: Pass the wires through the hole, then squeeze the J-Box flanges together to fit into opening.



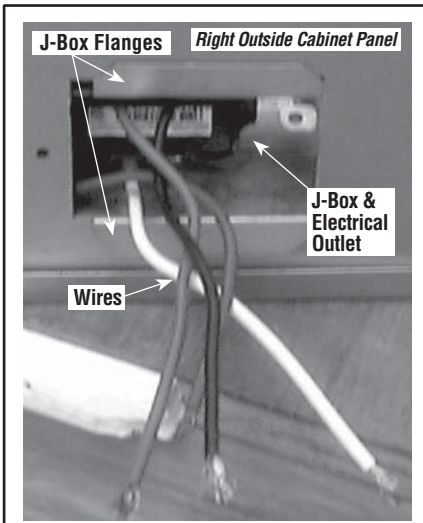


Figure 5

Step 3. Route a 3-wire, 120 VAC, 60 Hz, 1 ph power supply to the right side of appliance per the instructions provided in blower kit and the installation & operation manual and per National Electrical Code ANSI/ NFPA 70 - latest edition.

Step 4. Locate the J-Box cover (provided). Remove the round knock-out (see **Figure 6**).

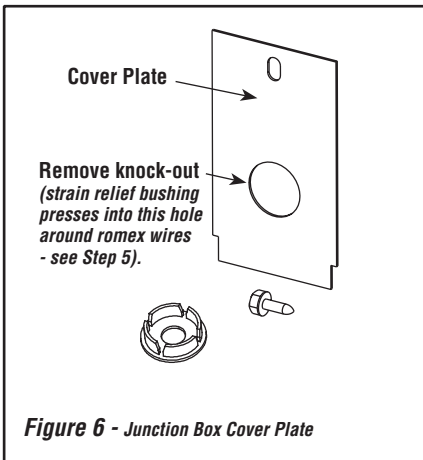


Figure 6 - Junction Box Cover Plate

Step 5. Ensure that power supply wires are NOT "live" before making these connections. Install J-Box Cover Plate as follows:

Feed the *Romex wires (or other equivalent plastic insulated wire - Refer ANSI/NFPA 70 - National Electrical Code - Latest Edition) through the J-Box Cover rectangular opening, then connect to the J-box wires. The strain relief bushing should be pressed into the knock-out on the J-box cover around the Romex (this will provide protection to the wires and prevents strain against connections from J-box). See Wiring Diagram - **Figure 9**. Install the cover plate over the J-Box opening on appliance as shown in **Figure 7**.

Note: Wire connections should be positioned inside of the appliance.

* Romex is a plastic insulated wire from power supply - sometimes called non-metallic sheath.

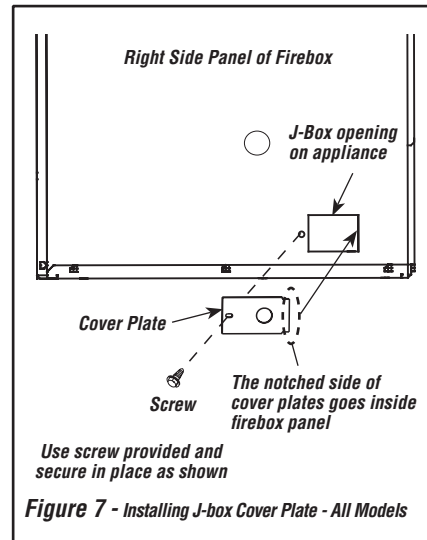


Figure 7 - Installing J-box Cover Plate - All Models

Step 6. Apply the *Warning Label* provided to the bottom of the cabinet as shown in **Figure 8**.

Step 7. After the electrical connections and blower installation have been completed per the instructions provided with kit and in the installation and operation manual follow the instructions below for the model you are installing:

Model UVF-36: Reinstall the blower access panel that was removed on **Step 1** (see **Figure 2**).

Models UVFRC-3628 and UVFRC-3628-H, UVFRC-4228 & UVFRC-4228-H: Reinstall the bottom refractory panel that was removed on **Step 1** (see **Figure 3**).

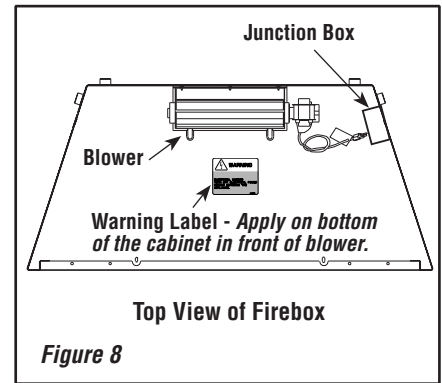


Figure 8

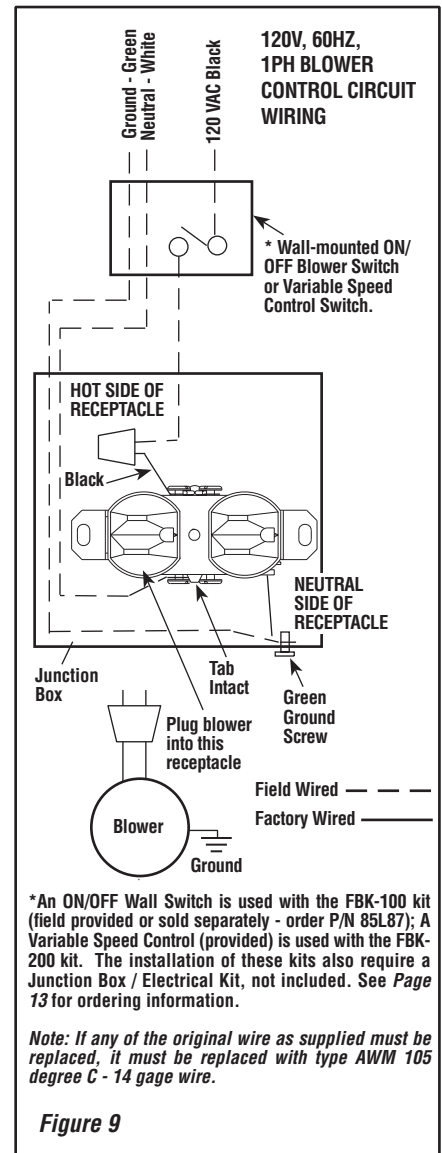


Figure 9

NOTE: DIAGRAMS & ILLUSTRATIONS ARE NOT TO SCALE.

LHP reserves the right to make changes at any time, without notice, in design, materials, specifications, prices and the discontinuance of colors, styles and products. Consult your local distributor for fireplace code information.