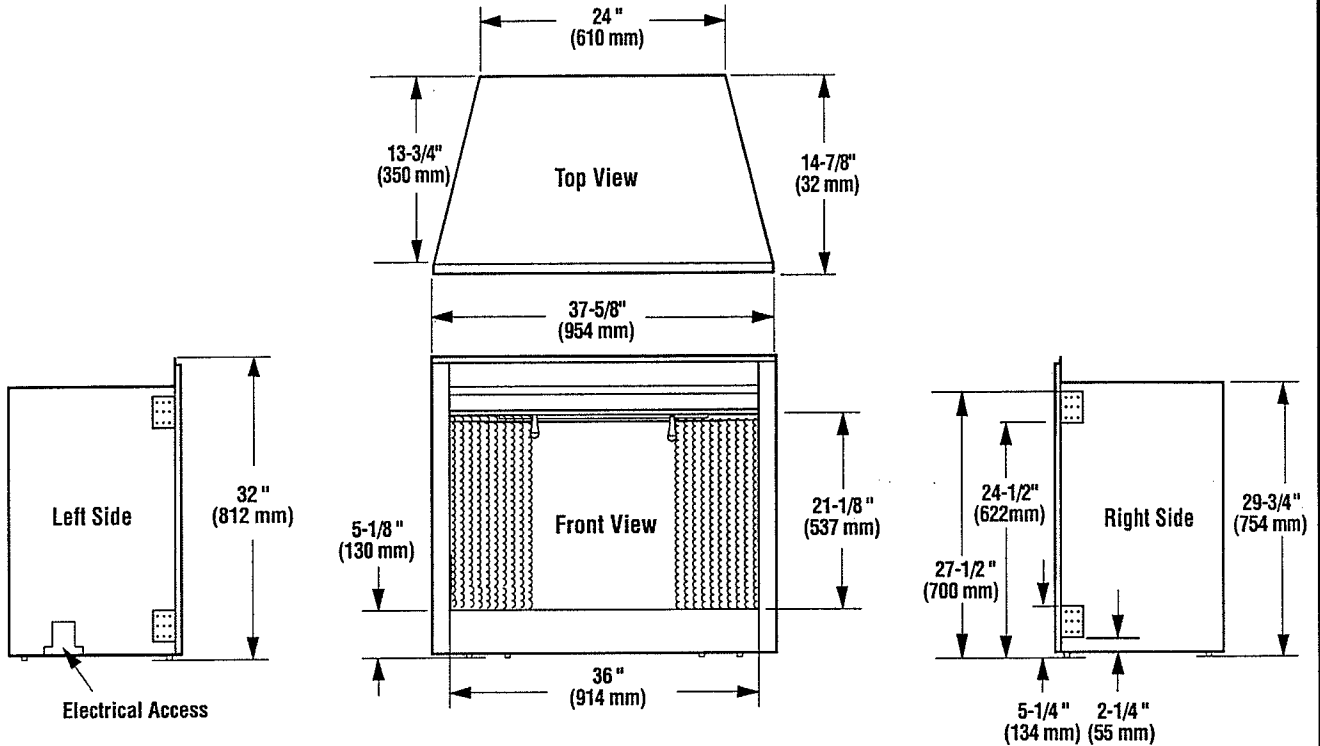


# MPE-36R

## Appliance Specifications\*

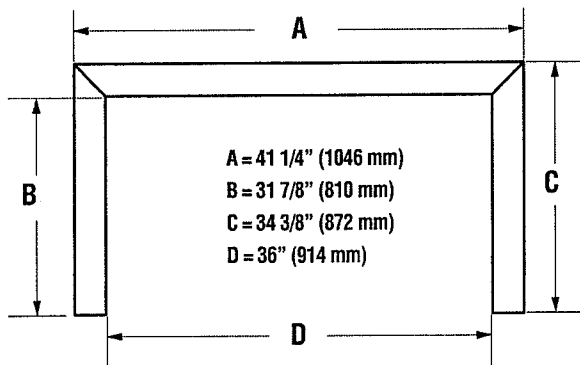
\*Specifications are subject to change. Refer to Installation Manual before installation of product for updated dimensions and instructions.



## Fireplace Finishes

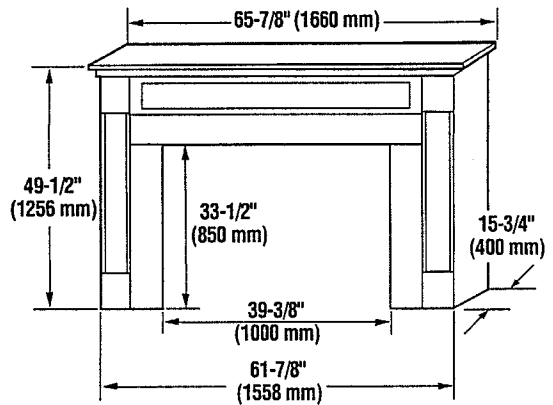
### Trim Kit

This kit contains trim panels used to finish the gaps between the wallboard or optional mantel and the fireplace, providing the appliance a finished built-in look.



### Mantel/Surrounds

Decorative mantel surrounds are available to provide a quick and beautiful "against the wall" installation in any location without the need for remodeling or construction.



Note: Diagrams and illustrations not to scale.

**LENNOX®**  
HEARTH PRODUCTS

# MPE-36R

## Framing Specifications

Framing dimensions are calculated for a nailing flange depth of 1/2".

