

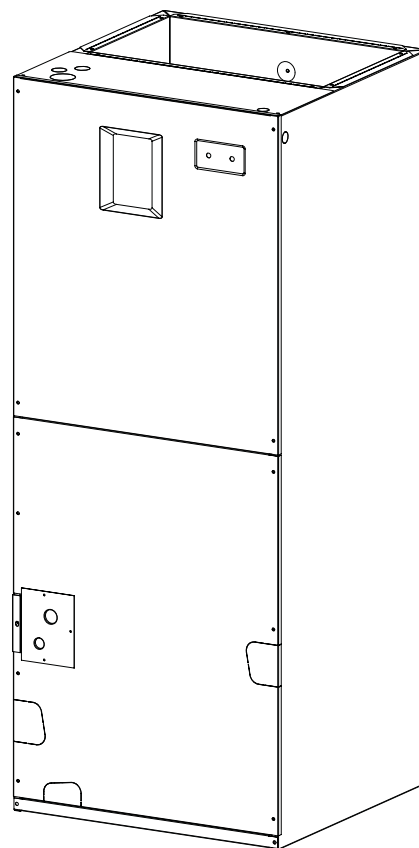
TECHNICAL SPECIFICATIONS

B5BV Series Air Handler 13 SEER Manufactured Housing System 24,000 - 60,000 Btuh (Heat Pump & Air Conditioner)

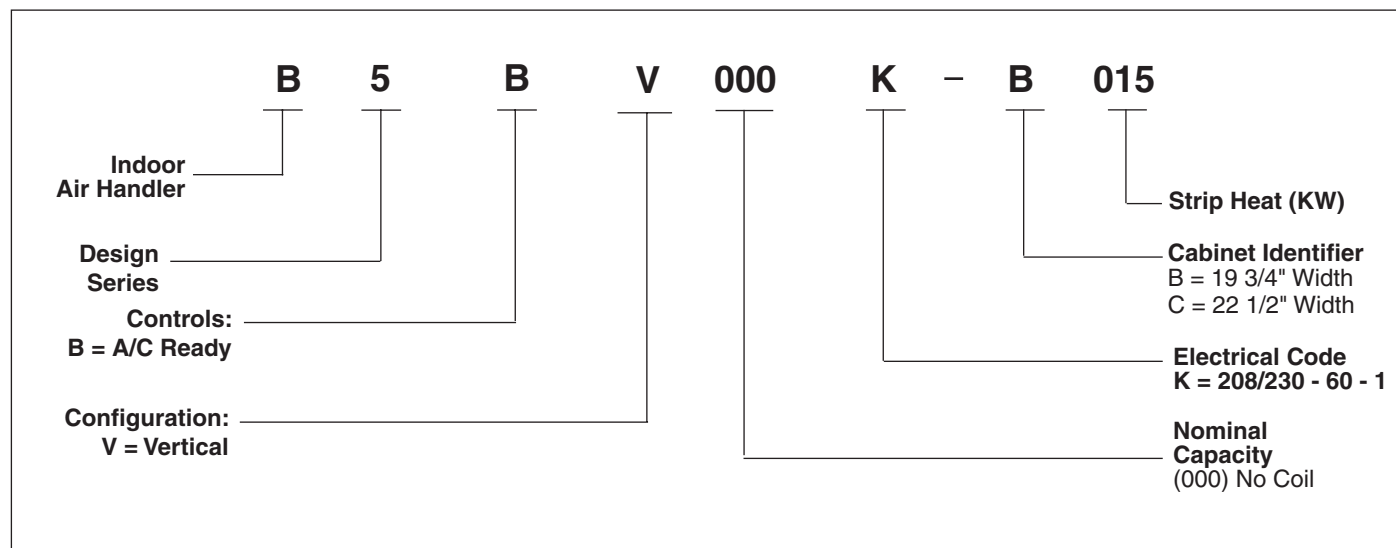
The B5BV Series air handler, when combined with our heat pump or air conditioner, offers a full line of quality, split system heating and cooling equipment.

FEATURES and BENEFITS

- **Multi-speed**– Gives flexibility of installation.
- **Ease-of-Service** – Plug-in wire connections and built-in filter rack makes the air handler easy to service.
- **Insulation** – provides quiet operation.
- **Breaker Accessibility** – Breaker accessible from front of unit when heater is applied.
- **No Fasteners on sides or back** – Smooth surfaces for installations.



MODEL IDENTIFICATION CODE

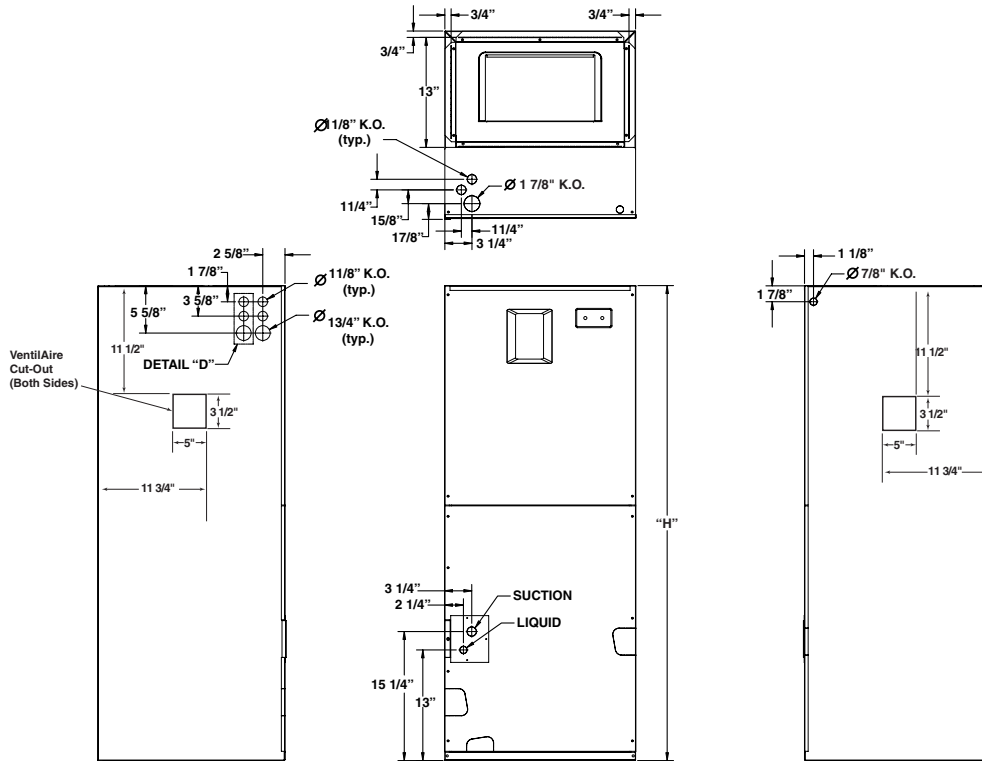


SPECIFICATIONS

Model B5BV	B-10	B-15	C-10	C-20
Nominal Blower Size (DxW)	10 x 8	10 x 8	11 x 10	11 x 10
(H.P. - Speed - Type)	1/3 - 4 - PSC	1/3 - 4 - PSC	3/4 - 5 - PSC	3/4 - 5 - PSC
Filter Size	18 x 20 x 1	18 x 20 x 1	20 x 20 x 1	20 x 20 x 1

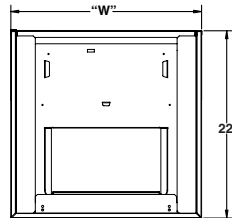
ACCESSORIES

Description	Order Number
Downflow Adapter Kit, B cab	919321
Downflow Adapter Kit, C cab	919322
Single Circuit Adapter Kit	913874
Downflow Adapter Kit, C cab with B coil	919323



DIMENSIONS

Model B5BV	W	A	H
000 K-B	19 3/4"	18 1/4"	49 3/8"
000 K-C	22 1/2"	21"	56"



SYSTEM AIR FLOW DATA (with coil installed)

Model	Nom. Blower Size	Nom. Motor Size	No. of Speeds	Ext. Static Pressure (in W.C.)	Low	Medium Low	Medium High	High
					800	1090	1265	1405
B5BV 000 K-B-15	10 x 8	1/3 hp	4-sp	0.1	780	1080	1255	1395
				0.2	760	1060	1240	1375
				0.3	740	1095	1215	1350
				0.4	715	1020	1190	1310

Model	Nom. Blower Size	Nom. Motor Size	No. of Speeds	Ext. Static Pressure (in W.C.)	Low	Medium Low	Medium High	High	
					1348	1517	1799	1956	2146
B5BV 000 K-C-20	11 x 10	3/4 hp	5-sp	0.1	1272	1455	1753	1910	2099
				0.2	1198	1390	1702	1862	2050
				0.3	1126	1325	1650	1811	2000
				0.4	1056	1258	1596	1756	1948
				0.5	933	1189	1539	1699	1894
				0.6	922	1120	1431	1639	1839
				0.7	858	1048	1420	1576	1783
				0.8					

Notes:

- 1) Airflow is shown in cfm, +/- 5%.
- 2) All airflows are measured without filter and with dry coil. For filter velocity of 300 ft./min. subtract .08" external static pressure. For wet coil, subtract .1" external static pressure.
- 3) See unit nameplate or installation instructions for maximum recommended external static pressure.