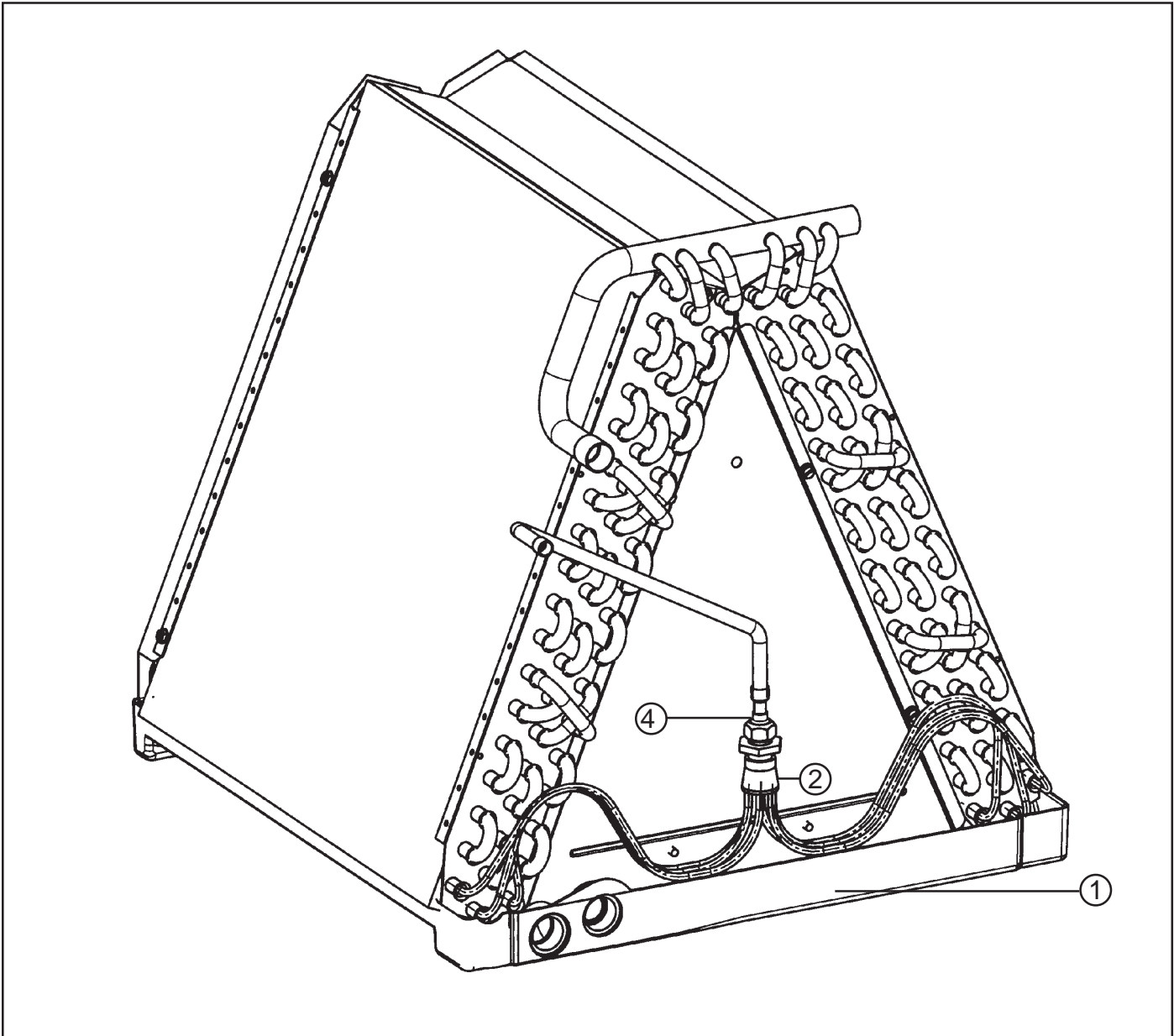


**(\*)C3, CU Series  
Indoor Coils**



**⚠ CAUTION:**

**Read the Installation Instructions supplied with furnace/air handler and observe all safety requirements outlined in instructions and/or furnace/air handler markings before proceeding with installation of the coil.**

These instructions are primarily intended to assist qualified individuals experienced in the proper installation of this appliance. Some local and national codes require licensed installation/service personnel for this type of equipment. Read all instructions carefully before starting the installation.

**(\*)C3BA/M, CU Indoor Coils**

ITEM NO.	PART DESCRIPTION	PART NO.	C3BA								C3BM 036U-B	
			024U-A	030U-A	036U-A	030U-B	036U-B	042U-B	048U-B	048U-C		060U-C
1	Drain Pan	669263	X	X	X							
		668717				X	X	X	X			X
		668718								X	X	
2	Distributor Assy	663830	X	X	X							
		663580				X	X					X
		663583						X	X			
		663638								X	X	
3	Restrictor (not shown)	663585 <sup>1</sup>									X	
		664060	X									
		664063		X		X						
		664067			X		X					X
		664075						X				
4	Swivel Connector	664080						X	X			
		664093									X	
5	Horizontal Drain Pan Kit (not shown)	663394	X	X	X	X	X	X	X	X	X	X
		914633	X	X	X	X	X	X	X			X
		914634							X	X		

<sup>1</sup> For 060 coil with 8 circuits (Effective 3/03)

**C3QA/C3DA Indoor Coils**

ITEM NO.	PART DESCRIPTION	PART NO.	024U-B	030U-B	036U-B	042U-B	047U-B	048U-B	054U-B	055U-B
1	Drain Pan	669349						X	X	
		669339	X	X	X	X	X			X
2	Distributor Assy	663580	X	X	X					
		663583				X	X			
		663638						X		
		663639							X	X
3	Restrictor (not shown)	664060	X							
		664063		X						
		664067			X					
		664075				X				
		664080					X			
		664082						X		
4	Swivel Connector	664093							X	X
		663394	X	X	X	X	X	X	X	X
5	Coupling 90 deg. 3/8" (not shown)	663635	X	X	X	X	X	X	X	X
6	Coupling 90 deg. 3/4" (not shown)	663633	X	X	X	X	X	X	X	X
7	Drain fitting	663785	X	X	X	X	X	X	X	X
8	Drain Tube	669319	X	X	X	X	X	X	X	X
9	Filter Kit	914567	X	X	X	X	X			X
		914650							X	
		917416						X		

