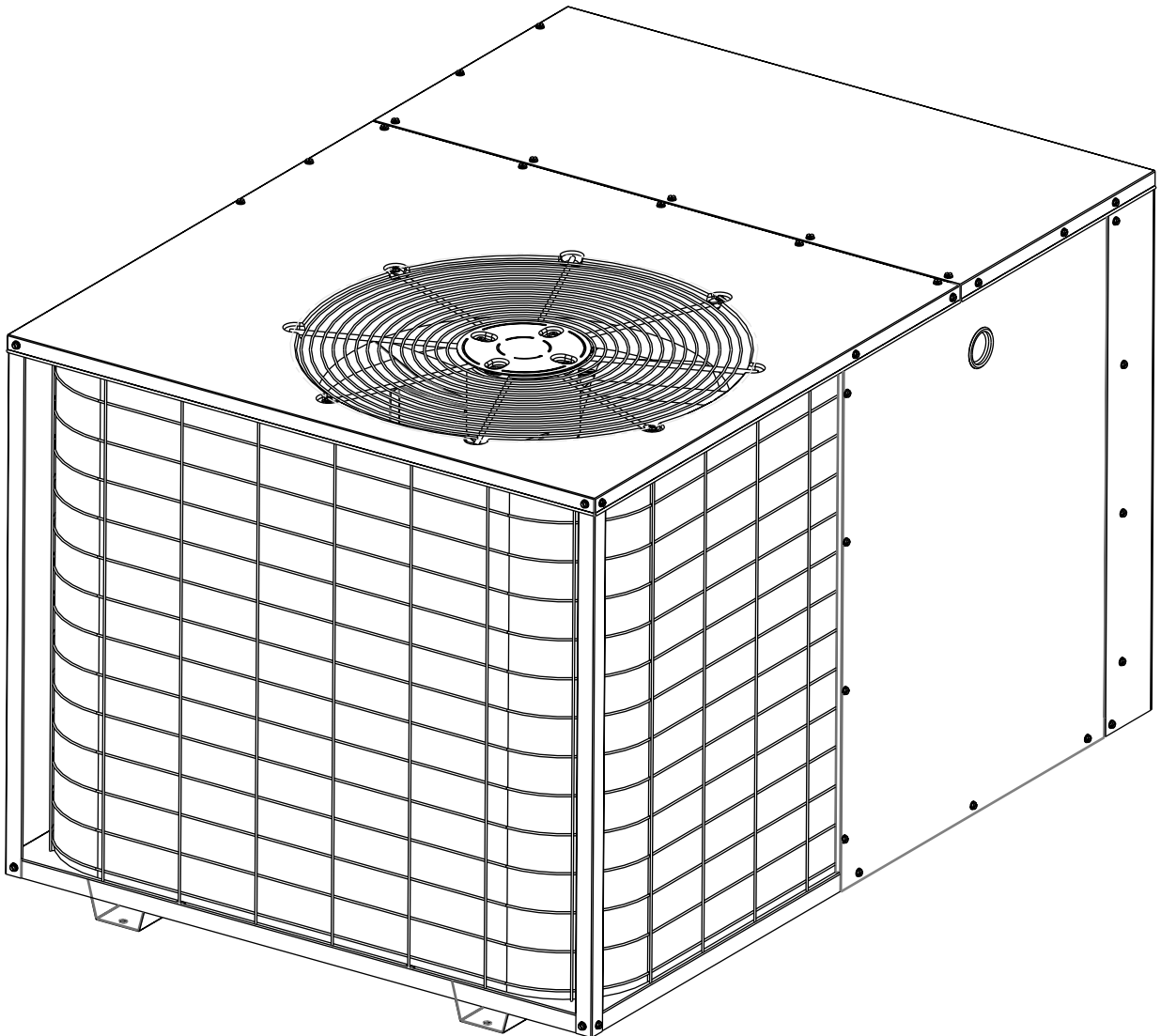


REPLACEMENT PARTS LIST

Single Package Heat Pump

(*)Q3 Series

10 SEER and 12 SEER Models



10 SEER Single Package Heat Pump Model (*)Q3RA

ITEM NO.	PART NO.	DESCRIPTION	024	030	036	042	048	060
1	606237	Acorn Nut	4	4	4	4	4	4
2	621720	Condenser Fan Motor 1/8 hp	1	1	1			
	621721	Condenser Fan Motor 1/4 hp				1	1	1
3	669175	Top Grille	1	1	1	1	1	1
4	669279	Fan Blade 20" Dia., 26°	1	1	1			
	669278	Fan Blade 20" Dia., 30°				1	1	1
5	D07090R	Top Panel Assembly, Right	1	1	1	1	1	1
6	D03570R	Top Panel Assembly, Left	1	1	1	1	1	1
7	D03290	Drain Channel	1	1	1	1	1	1
8	D03441R	Divider Panel Assembly	1	1	1			
	D03443R	Divider Panel Assembly				1	1	1
9	D03481R	Blower Divider Assembly	1	1	1			
	D03483R	Blower Divider Assembly				1	1	1
10	912956	Compressor CR22K6-PFV	1					
	912957	Compressor CR28K6-PFV		1				
	914955	Compressor CR34K6-PFV			1			
	912958	Compressor CR38K6-PFV				1		
	914749	Compressor ZR47KC-PFV					1	
	914926	Compressor ZR61KC-PFV						1
11	668793	Accumulator	1	1	1	1		
	668794	Accumulator					1	1
12	668766	Reversing valve	1					
	668767	Reversing valve		1	1	1		
	668769	Reversing valve					1	1
13	668982	Reversing Valve Coil	1	1	1	1	1	1
14	689513	Coil Gasket	1	1	1	1	1	1
15	669187	Drain Pan	1	1	1	1	1	1
16	663713	Drain Tube Assembly	1	1	1	1	1	1
17	669211	R-Trap	1	1	1	1	1	1
18	669184	Elbow 3/4" MPT	1	1	1	1	1	1
19	664060	Indoor Restrictor 0.060	1					
	664067	Indoor Restrictor 0.067		1				
	664073	Indoor Restrictor 0.073			1			
	664077	Indoor Restrictor 0.077				1		
	664087	Indoor Restrictor 0.087					1	
	664096	Indoor Restrictor 0.096						1
20	663716	Indoor Distributor Assembly	1					
	663580	Indoor Distributor Assembly		1	1			
	663582	Indoor Distributor Assembly				1		
	663584	IndoorDistributor Assembly					1	1
21	664053	Outdoor Restrictor 0.055	1					
	664063	Outdoor Restrictor 0.063		1				
	664065	Outdoor Restrictor 0.065			1			
	664067	Outdoor Restrictor 0.067				1		
	664080	Outdoor Restrictor 0.080					1	
	664087	Outdoor Restrictor 0.087						1
22	663716	Outdoor Distributor Assembly	1	1	1			
	663581	Outdoor Distributor Assembly				1		
	663582	Outdoor Distributor Assembly					1	1
23	663394	Swivel Connector	2	2	2	2	2	2
24	262970	Blower Foot	1	1	1	1	1	1
25	621937	Indoor Blower Motor 1/4 hp	1					
	621938	Indoor Blower Motor 1/3 hp		1				
	621939	Indoor Blower Motor 1/3 hp			1	1		
	621940	Indoor Blower Motor 1/2 hp					1	1
26	667294	Blower Wheel 9 x 8	1	1				
	667037	Blower Wheel 10 x 8			1	1	1	1
	¹ 667258	Blower Wheel 11 x 8						1

¹Change from 667258 to 667037 approximately January, 1999.

10 SEER Single Package Heat Pump Model (*)Q3RA

ITEM NO.	PART NO.	DESCRIPTION	024	030	036	042	048	060
27	D03631	Indoor Coil	1					
	D03632	Indoor Coil		1	1			
	D03633	Indoor Coil				1		
	D03634	Indoor Coil					1	1
28	386510	Indoor Coil Cover Upper 20"	1	1	1	1		
	386520	Indoor Coil Cover Upper 28"					1	1
	386500	Indoor Coil Cover Lower	1	1	1	1	1	1
29	D03340	Blower Box Cover	1	1	1	1	1	1
30	D03350	Blower Transition Box	1	1	1	1	1	1
31	D03462R	Rear Panel Assembly	1					
	D03461R	Rear Panel Assembly		1	1			
	D03465R	Rear Panel Assembly				1		1
	D03466R	Rear Panel Assembly					1	
32	D03521R	Blower Panel Assembly	1	1	1			
	D03523R	Blower Panel Assembly				1	1	1
33	D04361	Corner Panel	1	1	1			
	D04363	Corner Panel				1	1	1
34	D03430R	Bottom Pan Assembly	1	1	1	1	1	1
35	D02881 ⁵	Control Panel	1	1	1			
	271791 ⁵	Control Panel	1	1	1			
	D02883 ⁵	Control Panel				1	1	1
	271793 ⁵	Control Panel				1	1	1
36	621869 ⁴	Blower Relay	1	1	1	1	1	1
	621931 ⁴	Blower Relay	1	1	1	1	1	1
37	621709	Transformer 40 VA	1	1	1	1	1	1
38	621661	Contacto 25A	1	1	1	1		
	621662	Contacto 35 A					1	1
39	621434	Capacitor 7.5/370	1	1				
	621435	Capacitor 10/370			1	1		
	² 621499	Capacitor 15/370					1	1
	² 621500	Capacitor 20/370						1
40	620777	Dual Capacitor 30/5/370	1					
	620762	Dual Capacitor 35/5/370		1				
	620779	Dual Capacitor 50/5/370			1			
	620968	Dual Capacitor 40/7.5/440				1		
	621697	Dual Capacitor 50/7.5/370					1	
	³ 621944	Dual Capacitor 70/7.5/370						1
41	917178	Defrost Board	1	1	1	1	1	1
42	624345	Outdoor Thermostat (If Supplied)	1	1	1	1	1	1
	⁶ 626520	Non Adjustable Outdoor Thermostat (not shown)	1	1	1	1	1	1
43	D02871	Control Box Cover	1	1	1	1		
	D02873	Control Box Cover					1	1
44	D02891R	Compressor Cover	1	1	1			
	D02893R	Compressor Cover				1	1	1
45	D03651R	Outdoor Coil-Formed	1					
	D03652R	Outdoor Coil-Formed		1	1			
	D03653R	Outdoor Coil-Formed				1		
	D03654R	Outdoor Coil-Formed					1	
	D03655R	Outdoor Coil-Formed						1
46	626488	Defrost Sensor	1	1	1	1	1	1
47	D09331	Coil Guard- Formed	1					
	D09332	Coil Guard- Formed		1	1			
	D09333	Coil Guard- Formed					1	
	D09334	Coil Guard- Formed				1		1
48	D09991	Corner Brace	2	2	2			
	D09993	Corner Brace				2	2	2
49	250101	Duct Collar 12"	2	2	2	1	1	1
	250102	Duct Collar 14"				1	1	1

²Change from 621500 to 621499 approximately January, 1999.

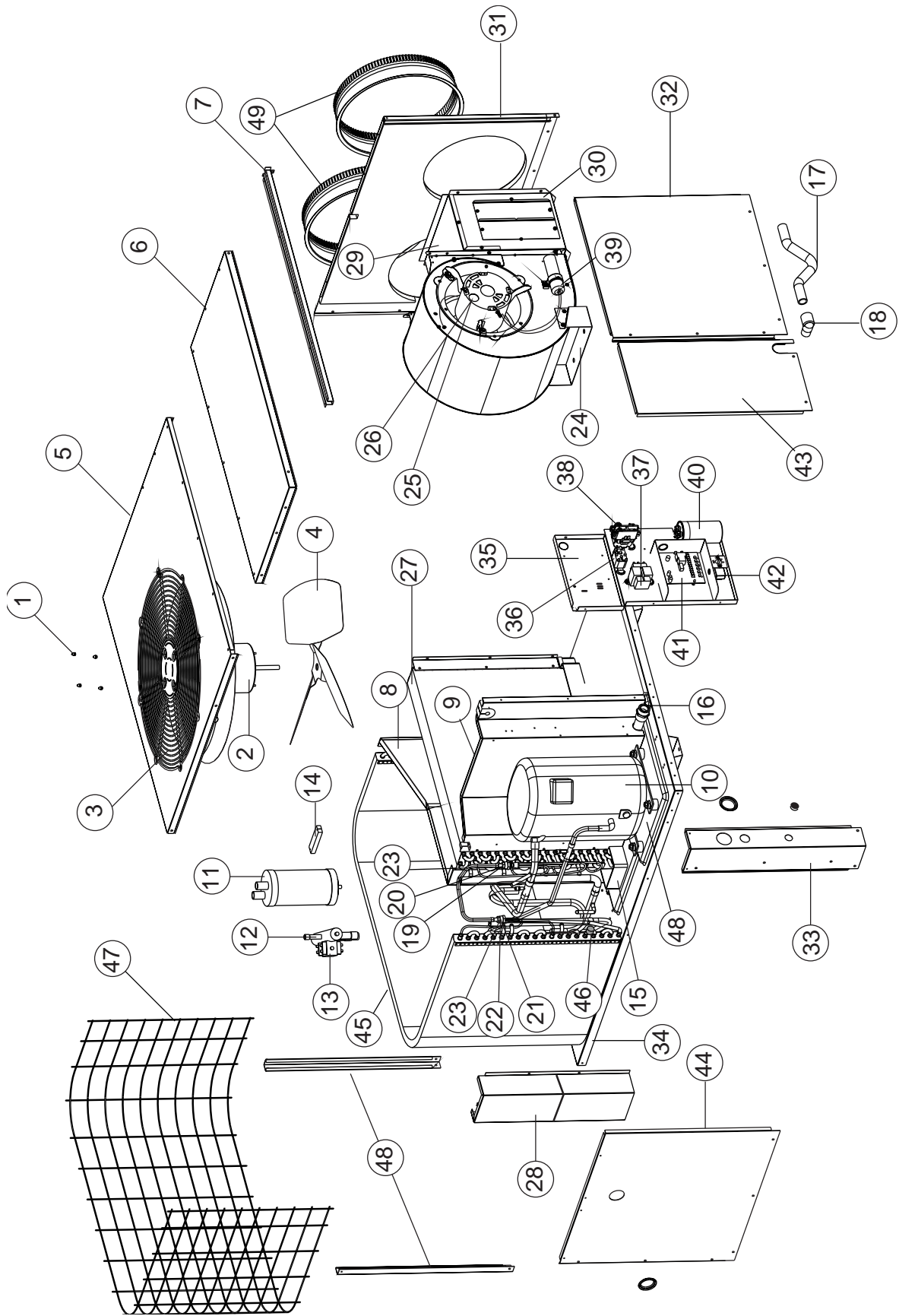
³621944 replaces 621698 approximately March, 2001.

⁴621931 replaces 621869 approximately July, 2001.

⁵271791 and 271793 replaces D02881 and D02883 approximately July, 2001.

⁶626520 replaces 624345 approximately March, 2002.

(*)Q3RA



12 SEER Single Package Heat Pump Model (*)Q3RC

ITEM NO.	PART NO.	DESCRIPTION	024	030	036	042	048
1	606237	Acorn Nut	4	4	4	4	4
2	621720	Condenser Fan Motor 1/8 hp	1	1			
	621721	Condenser Fan Motor 1/4 hp			1	1	1
3	669175	Top Grille	1	1	1	1	1
4	669279	Fan Blade 20" Dia., 26°	1	1	1		
	669278	Fan Blade 20" Dia., 30°				1	1
5	D07090R	Top Panel Assembly, Right	1	1	1	1	1
6	D03570R	Top Panel Assembly, Left	1	1	1	1	1
7	D03290	Drain Channel	1	1	1	1	1
8	D03441R	Divider Panel Assembly	1	1			
	D03443R	Divider Panel Assembly			1	1	1
9	D03481R	Blower Divider Assembly	1	1			
	D03483R	Blower Divider Assembly			1	1	1
10	914653	Compressor ZR22K3-PFV	1				
	914865	Compressor ZR28K3-PFV		1			
	914927	Compressor ZR32K3-PFV			1		
	914656	Compressor ZR40K3-PFV				1	
	¹ 913795	Compressor ZR46K3-PFV					1
	917219	Compressor ZR47K3-PFV					1
11	668793	Accumulator	1	1	1		
	668794	Accumulator				1	1
12	668766	Reversing valve	1				
	668767	Reversing valve		1	1		
	668768	Reversing valve				1	
	668769	Reversing valve					1
13	669062	Reversing Valve Coil	1	1	1	1	1
14	689513	Coil Gasket	1	1	1	1	1
15	669187	Drain Pan	1	1	1	1	1
16	663713	Drain Tube Assembly	1	1	1	1	1
17	669211	R-Trap	1	1	1	1	1
18	669184	Elbow 3/4" MPT	1	1	1	1	1
19	664060	Indoor Restrictor 0.060	1				
	664067	Indoor Restrictor 0.067		1			
	664073	Indoor Restrictor 0.073			1		
	664083	Indoor Restrictor 0.083				1	
	664087	Indoor Restrictor 0.087					1
20	663716	Indoor Distributor Assembly	1				
	663580	Indoor Distributor Assembly		1			
	663581	Indoor Distributor Assembly			1		
	663582	Indoor Distributor Assembly				1	
	663584	Indoor Distributor Assembly					1
21	664055	Outdoor Restrictor 0.055	1				
	664063	Outdoor Restrictor 0.063		1			
	664065	Outdoor Restrictor 0.065			1		
	664067	Outdoor Restrictor 0.067				1	
	664077	Outdoor Restrictor 0.077					1
22	663580	Outdoor Distributor Assembly	1	1			
	663581	Outdoor Distributor Assembly			1	1	
	663582	Outdoor Distributor Assembly					1
23	663394	Swivel Connector	2	2	2	2	2
24	262970	Blower Foot	1	1	1	1	1
25	621937	Indoor Blower Motor 1/4 hp	1				
	621938	Indoor Blower Motor 1/3 hp		1			
	621939	Indoor Blower Motor 1/3 hp			1	1	
	621940	Indoor Blower Motor 1/2 hp					1

¹Change from 913795 to 917219 approximately July, 1999.

12 SEER Single Package Heat Pump Model (*)Q3RC

ITEM NO.	PART NO.	DESCRIPTION	024	030	036	042	048
26	667294	Blower Wheel 9 x 8	1	1			
	667037	Blower Wheel 10 x 8			1	1	1
27	D03631	Indoor Coil	1				
	D03632	Indoor Coil		1			
	D03635	Indoor Coil			1		
	D03633	Indoor Coil				1	
	D03634	Indoor Coil					1
28	386510	Indoor Coil Cover Upper 20"	1	1			
	386520	Indoor Coil Cover Upper 28"			1	1	1
	386500	Indoor Coil Cover Lower	1	1	1	1	1
29	D03340	Blower Box Cover	1	1	1	1	1
30	D03350	Blower Transition Box	1	1	1	1	1
31	D03462R	Rear Panel Assembly	1	1			
	D03466R	Rear Panel Assembly			1	1	
	D03465R	Rear Panel Assembly					1
32	D03521R	Blower Panel Assembly	1	1			
	D03523R	Blower Panel Assembly			1	1	1
33	D04361	Corner Panel	1	1			
	D04363	Corner Panel			1	1	1
34	D03430R	Bottom Pan Assembly	1	1	1	1	1
35	⁴ D02881	Control Panel	1	1			
	⁴ 271791	Control Panel	1	1			
	⁴ D02883	Control Panel			1	1	1
	⁴ 271793	Control Panel			1	1	1
36	³ 621869	Blower Relay	1	1	1	1	1
	³ 621931	Blower Relay	1	1	1	1	1
37	621709	Transformer	1	1	1	1	1
38	621661	Contacto 25A	1	1	1	1	
	621662	Contacto 35 A					1
39	621434	Capacitor 7.5/370	1	1			
	621435	Capacitor 10/370			1	1	
	621499	Capacitor 15/370					1
40	620763	Dual Capacitor 40/5/370	1				
	621635	Dual Capacitor 45/5/370		1	1		
	621699	Dual Capacitor 55/7.5/370				1	
	² 621698	Dual Capacitor 60/7.5/370					1
	² 621842	Dual Capacitor 60/7.5/440					1
41	917178	Defrost Board	1	1	1	1	1
42	624345	Outdoor Thermostat	1	1	1	1	1
	⁵ 626520	Non Adjustable Outdoor Thermostat (not shown)	1	1	1	1	1
43	632060	Blower Time Delay Relay(Not Shown)					1
44	D02871R	Control Box Cover	1	1			
	D02873R	Control Box Cover			1	1	1
45	D02891	Compressor Cover	1	1			
	D02893	Compressor Cover			1	1	1
46	D03656R	Outdoor Coil-Formed	1	1			
	D03657R	Outdoor Coil-Formed			1	1	
	D03655R	Outdoor Coil-Formed					1
47	626488	Defrost Sensor	1	1	1	1	1
48	D09331	Coil Guard- Formed	1	1			
	D09333	Coil Guard- Formed			1	1	
	D09334	Coil Guard- Formed					1
49	D09991	Corner Brace	2	2			
	D09993	Corner Brace			2	2	2
50	250101	Duct Collar 12"	2	2	2	1	1
	250102	Duct Collar 14"				1	1

²Change from 621698 to 621842 approximately July, 1999.

³Change from 671869 to 621931 approximately July, 2001.

⁴Change from D02881 and D02883 to 271791 and 271793 approximately July, 2001.

⁵Change from 624345 to 626520 approximately March, 2002.

(*)Q3RC

