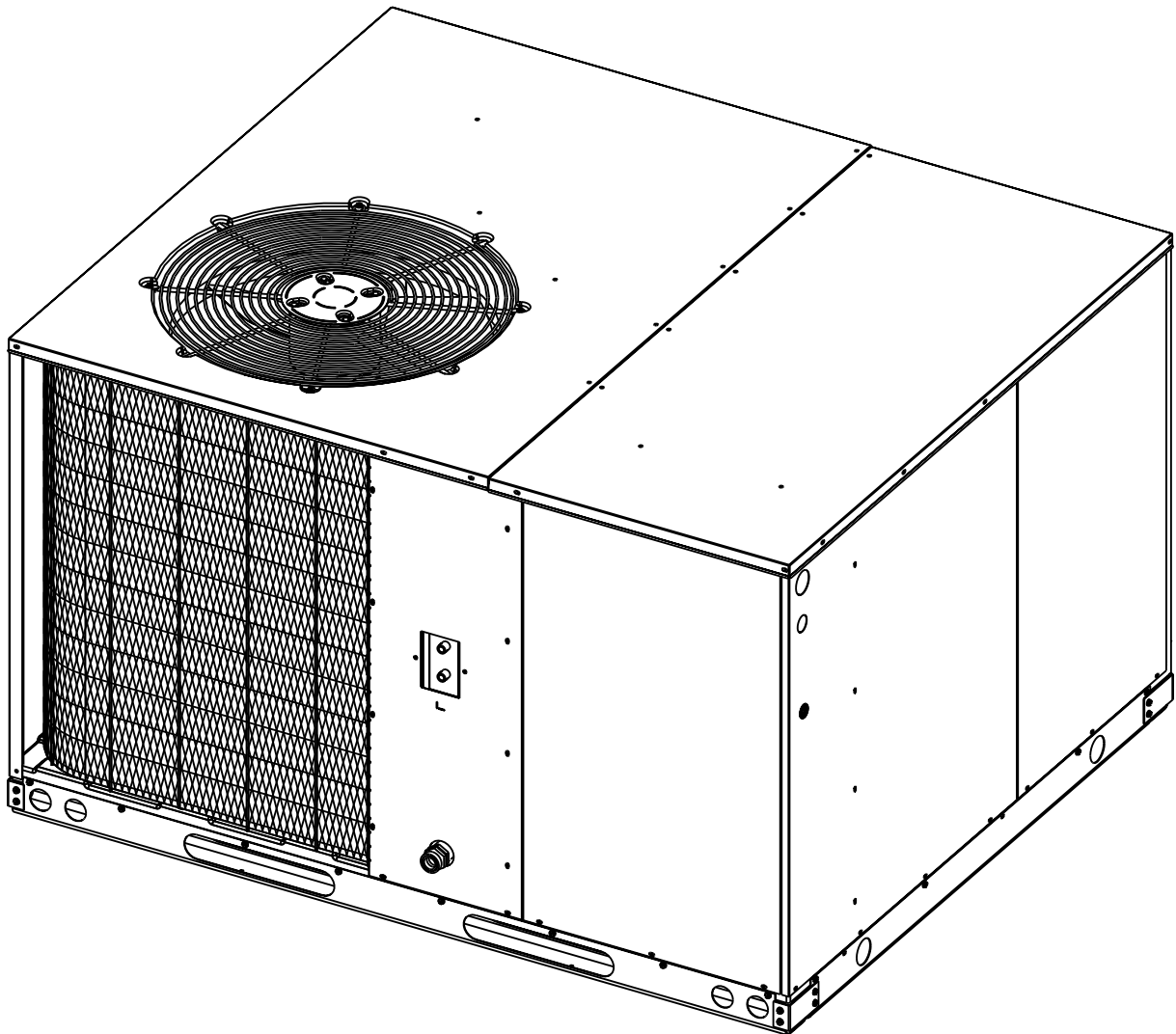


**Single Package Heat Pump
(*)Q4 Series**



Models (*)Q4SA and (*)Q4SC

REPLACEMENT PARTS LIST			(*)Q4SA 030K 917392	(*)Q4SA 036K 914919	(*)Q4SA 042K 917394	(*)Q4SA 048K 914920	(*)Q4SA 060K 914921	(*)Q4SC 036K 914922	(*)Q4SC 048K 914923	(*)Q4SC 060K 914924	Q4SA 030C 917393	Q4SA 036C 917088	Q4SA 042C 917395	Q4SA 048C 917089	Q4SA 060C 917090
Item	Part #	Description													
1	D05480R	Bottom Pan Assembly	1	1	1	1	1	1	1	1	1	1	1	1	1
2	D12601	Base Rail, Short	2	2	2	2	2	2	2	2	2	2	2	2	2
3	D12602	Base Rail, Long	2	2	2	2	2	2	2	2	2	2	2	2	2
4	¹ 263210	Orifice	1	1	1	1	1	1	1	1	1	1	1	1	1
5	¹ D04870R	Top Pan, Right	1	1	1	1	1	1	1	1	1	1	1	1	1
	¹ D12131R	Top Pan, Right w/Orifice	1	1	1	1	1	1	1	1	1	1	1	1	1
6	D05660R	Top Pan, Left	1	1	1	1	1	1	1	1	1	1	1	1	1
7	D05624R	Corner Panel	1	1							1	1			
	D05625R				1	1	1	1					1	1	1
	D05626R								1	1					
8	D05554R	Supply Panel	1	1							1	1			
	D05555R				1	1	1	1					1	1	1
	D05556R								1	1					
9	D05564R	Return Panel	1	1							1	1			
	D05565R				1	1	1	1					1	1	1
	D05566R								1	1					
10	² D05201	Front Panel	1	1							1	1			
	² D05202				1	1	1	1					1	1	1
	² D05203								1	1					
	² D12461		1	1							1	1			
	² D12462				1	1	1	1					1	1	1
	² D12463								1	1					
11	D05541R	Blower Panel	1	1							1	1			
	D05542R				1	1	1	1					1	1	1
	D05543R								1	1					
12	D05111	Service Panel	1	1							1	1			
	D05112				1	1	1	1					1	1	1
	D05113								1	1					
13	D09994	Corner Brace	1	1							1	1			
	D09996				1	1	1	1					1	1	1
	D09997								1	1					
14	D05501R	Divider Panel	1	1							1	1			
	D05502R				1	1	1	1					1	1	1
	D05503R								1	1					
15	D05681R	Close Off Panel	1	1							1	1			
	D05682R				1	1	1	1					1	1	1
	D05683R								1	1					
16	D07451	Header Cover	1	1							1	1			
	D07452				1	1	1	1					1	1	1
	D07453								1	1					
17	386451	Header Cover Access Panel	1	1							1	1			
	386452				1	1	1	1					1	1	1
	386453								1	1					
18	914955	Compressor, CR34K6-PFV-920		1											
	914966	Compressor, CR28KF-PFV-970	1												
	914749	Compressor, ZR47KC-PFV-935				1									
	⁵ 917864	Compressor, ZR61KC-PFV-950					1								
	914655	Compressor, ZR34K3-PFV-930						1							
	³ 913795	Compressor, ZR46K3-PFV							1						
	³ 917219	Compressor, ZR47K3-PFV							1						
	917336	Compressor, ZR45KC-TF5-935											1		
	917337	Compressor, ZR45KC-PFV-935			1										
	914657	Compressor, ZR57K3-PFV-950								1					
	913944	Compressor, CR35K6-TF5-960										1			
	914759	Compressor, ZR47KC-TF5-930												1	
	914495	Compressor, ZR61KC-TF5-930													1
	918102	Compressor, CR28K6-TF5-960									1				
19	913357	Blower Motor	1	1				1			1	1			
	914972				1	1	1	1	1	1			1	1	1
20	667251	Blower Wheel	1	1				1			1	1			
	667283				1	1	1	1	1	1			1	1	1
21	621721	Fan Motor	1	1	1	1	1	1	1	1	1	1	1	1	1
	621740							1			1				1
22	667279	Fan Blade	1	1							1	1			
	667278				1	1	1	1	1	1			1	1	
	667282							1							1
23	621697	Capacitor, 50/7.5/370		1				1							
	⁴ 621944	Capacitor, 70/7.5/370						1							
	⁴ 621842	Capacitor, 60/7.5/440							1						
	620887	Capacitor, 35/7.5/370	1												
	620888	Capacitor, 40/7.5/370			1										
	621717	Capacitor, 80/7.5/370								1					
	621434	Capacitor, 7.5/370									1	1	1	1	1
24	621661	Contact, Single Pole, 25A	1	1				1							
	621662	Contact, Single Pole, 35A			1	1	1		1	1			1	1	1
	621667	Contact, Three Pole, 30A									1	1	1	1	1
25	621709	Transformer, 40 VA	1	1	1	1	1	1	1	1	1	1	1	1	1

¹D12131R replaces D04870R and 263210 approximately July, 2000.

²D12461, D12462 and D12463 replaces D05201, D05202 and D05203 approximately December, 2000.

³Change from 913795 to 917219 approximately June, 2000.

⁴621944 used with 913795, 621842 used with 917219.

⁵917864 replaces 914926 approximately March, 2001.

⁶621944 replaces 621628 approximately March, 2001.

Models (*)Q4SA and (*)Q4SC

REPLACEMENT PARTS LIST			(*)Q4SA 030K	(*)Q4SA 036K	(*)Q4SA 042K	(*)Q4SA 048K	(*)Q4SA 060K	(*)Q4SC 036K	(*)Q4SC 048K	(*)Q4SC 060K	Q4SA 030C	Q4SA 036C	Q4SA 042C	Q4SA 048C	Q4SA 060C
Item	Part #	Description	917392	914919	917394	914920	914921	914922	914923	914924	917393	917088	917395	917089	917090
26	D07481R	Blower Housing, 10" x 6"	1	1				1			1	1			
	D07483R	Blower Housing, 10" x 10"			1	1	1	1	1	1			1	1	1
27	917178	Defrost Board	1	1	1	1	1	1	1	1	1	1	1	1	1
	621435	Blower Capacitor, 10/370	1	1				1			1	1			
28	621499	Blower Capacitor, 15/370			1	1	1	1	1	1			1	1	1
	669175	Top Grille	1	1	1	1	1	1	1	1	1	1	1	1	1
30	D09372	Coil Guard, 30" x 76"	1	1							1	1			
	D09373	Coil Guard, 34" x 76"			1	1	1	1					1	1	1
	D09374	Coil Guard, 38" x 76"							1	1					
31	D06261R	Formed Outdoor Coil	1	1							1	1			
	D06262R				1	1							1	1	
	D06263R						1								1
	D06264R							1							
	D06265R								1						
	D06266R									1					
32	D06251	Indoor Coil	1	1							1	1			
	D06252				1	1							1	1	
	D06253						1								1
	D06254							1							
	D06255								1						
	D06256									1					
33	664071	Indoor Restrictor (.071")	1								1				
	664075	Indoor Restrictor (.075")		1								1			
	664083	Indoor Restrictor (.083")			1								1		
	664087	Indoor Restrictor (.087")				1								1	
	664099	Indoor Restrictor (.099")					1				1				1
	664077	Indoor Restrictor (.077")						1							
	664090	Indoor Restrictor (.090")							1						
	664057	Outdoor Restrictor (.057")	1								1				
34	664063	Outdoor Restrictor (.063")		1								1			
	664069	Outdoor Restrictor (.069")			1								1		
	664075	Outdoor Restrictor (.075")				1								1	
	664083	Outdoor Restrictor (.083")					1								1
	664061	Outdoor Restrictor (.061")						1							
	664067	Outdoor Restrictor (.067")							1						
	667081	Outdoor Restrictor (.081")								1					
	D05180	Drain Channel	1	1	1	1	1	1	1	1	1	1	1	1	1
36	663717	Drain Tube	1	1	1	1	1	1	1	1	1	1	1	1	1
37	669190	Drain Pan	1	1	1	1	1	1	1	1	1	1	1	1	1
38	D05530	Duct Cap Assembly	2	2	2	2	2	2	2	2	2	2	2	2	2
39	600284	Compressor Bolts	4	4	4	4	4	4	4	4	4	4	4	4	4
40	668396	Compressor Grommet	4	4							4	4			
	668530				4	4	4	4	4	4			4	4	4
41	663581	Indoor Distributor Assembly (4 circuit)	1	1				1			1	1			
	663584	Indoor Distributor Assembly (6 circuit)			1	1	1		1				1	1	1
	663585	Indoor Distributor Assembly (8 circuit)								1					
42	663579	Outdoor Distributor Assembly (3 circuit)	1	1				1			1	1			
	663581	Outdoor Distributor Assembly (4 circuit)			1	1							1	1	
	663582	Outdoor Distributor Assembly (5 circuit)					1		1						1
	663584	Outdoor Distributor Assembly (6 circuit)								1					
43	263392	Coil Support	1	1							1	1			
	263394				1	1	1	1					1	1	1
	263395								1	1					
44	D05440	Drain Pan Stand	1	1	1	1	1	1	1	1	1	1	1	1	1
45	258952	Wire Conduit	1	1	1	1	1	1	1	1	1	1	1	1	1
46	632235	Dual Grounding Lug	1	1	1	1	1	1	1	1	1	1	1	1	1
47	D05431	Control Panel	1	1							1	1			
	D05432				1	1	1	1					1	1	1
	D05433								1	1					
48	689514	Wire Grommet	3	3	3	3	3	3	3	3	3	3	3	3	3
49	689513	Coil Gasket	1	1	1	1	1	1	1	1	1	1	1	1	1
50	689515	Control Panel Insulation	1	1							1	1			
	689516				1	1	1	1					1	1	1
	689517								1	1					
54	D05120	Low Voltage Divider	1	1	1	1	1	1	1	1	1	1	1	1	1
55	D05461	Blower Transition Panel	1	1				1			1	1			
	D05462				1	1	1		1	1			1	1	1
56	D05420	Electric Heat Panel	1	1	1	1	1	1	1	1	1	1	1	1	1
57	D05450	Blower Transition Side Panel	1	1	1	1	1	1	1	1	1	1	1	1	1
58	263860	Electric Heat Bracket	1	1	1	1	1	1	1	1	1	1	1	1	1
59	632214	Terminal Block	1	1	1	1	1	1	1	1			1	1	1
	632221										1	1	1	1	1
60	226420	Close Off Plate	2	2	2	2	2	2	2	2	2	2	2	2	2
61	621867	Blower Relay	1	1	1	1	1	1	1	1	1	1	1	1	1
62	668793	Accumulator	1	1							1	1			
	668794				1	1	1						1	1	1
	668853							1							
	668854								1	1					
63	668767	Reversing Valve	1	1					1	1			1	1	1
	668769				1	1	1		1				1	1	1
	668769									1					
64	668770	Reversing Valve Coil	1	1	1	1	1	1	1	1	1	1	1	1	1
65	626342	Defrost Sensor	1	1	1	1	1	1	1	1	1	1	1	1	1

Models (*)Q4SA and (*)Q4SC

