

SDDV-35/40

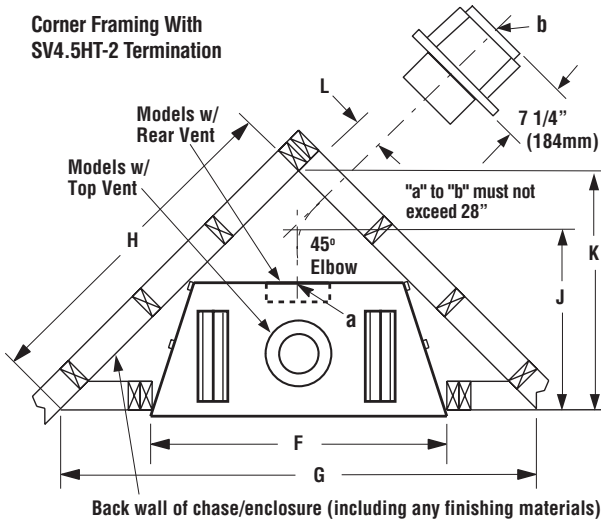
Appliance Specifications

Framing Dimensions - Inches (millimeters)						
Models	A	B	C (rear vent)	C (top vent)	D	E
SDDV-35	35-1/4 (895)	40-1/4 (1022)	20-7/8 (530)	23-5/8 (600)	27-1/2 (699)	46-5/8 (1184)
SDDV-40	40-1/4 (1022)	40-1/4 (1022)	20-7/8 (530)	23-5/8 (600)	27-1/2 (699)	46-5/8 (1184)

Models	F	G	H	J	K	L
SDDV-35	35-1/8 (892)	65-1/2 (1664)	46-5/16 (1176)	25-11/16 (652)	32-3/4 (832)	5 (127)
SDDV-40	40-1/8 (1019)	67-3/4 (1721)	47-7/8 (1216)	25-11/16 (652)	33-7/8 (860)	5-3/4 (146)

Framing Dimensions

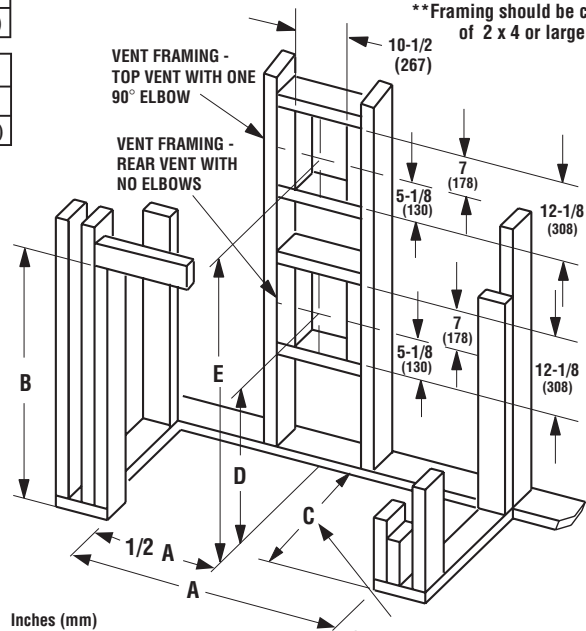
Corner Framing With SV4.5HT-2 Termination



DIRECT VENT FIREPLACE HEATER

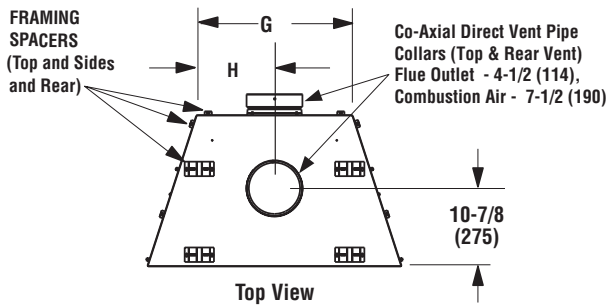
**Framing With Square Horizontal Termination SV4.5HT-2

**Framing should be constructed of 2 x 4 or larger lumber.



C is the required framing depth dimension when the finish material (drywall) thickness is 1/2 in. (13mm).

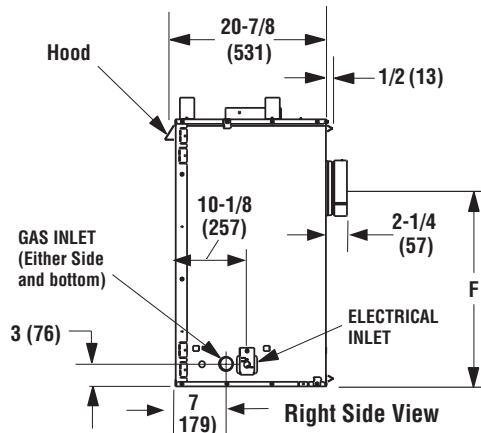
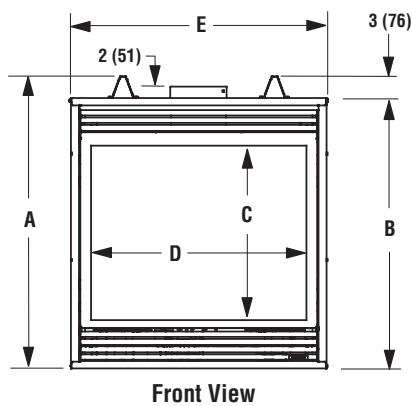
Fireplace Dimensions - Inches (millimeters)



Model	A	B	C	D
SDDV-35	40-1/8 (1019)	37-1/8 (943)	24 (610)	29-1/2 (749)
SDDV-40	40-1/8 (1019)	37-1/8 (943)	24 (610)	34-1/2 (876)

Model	E	F (rear vent only)	G	H
SDDV-35	35-1/8 (892)	27-1/2 (698)	21-1/2 (546)	10-3/4 (273)
SDDV-40	40-1/8 (1019)	27-1/2 (698)	26-1/2 (675)	13-3/4 (337)

Fireplace Dimensions



Notes

Due to Lennox' ongoing commitment to quality, all specifications, ratings and dimensions are subject to change without notice.

Appliance has a factory-installed vent seal cap in each flue outlet.

Canada

ENERGUIDE

Look for the EnerGuide Gas Fireplace Energy Efficiency Rating in this brochure

Based on CSA P.4.1-02

SDDV-35/40

Product Reference Information

Product Reference Information	
Cat. No.	Model
H4835	SDDV-35NM
H4836	SDDV-35PM
H4837	SDDV-35NE
H4838	SDDV-40NM
H4839	SDDV-40PM
H4840	SDDV-40NE

Listing Information

Models	Efficiencies %					
	Natural Gas			Propane		
	P4	Steady State *	AFUE	P4	Steady State *	AFUE
SDDV-35	61	65	63	61	66	64
SDDV-40	64	66	64	65	66	64

Tested & Listed By **OTL** Beaverton Oregon USA
OMNI-Test Laboratories, Inc.
OTL Report No. 116-F-05-5

Tested to ANSI Z21.88b-2003 (in Canada, CSA-2.33b-2003) & CAN/CGA-2.17-M91 in both USA & Canada, as vented gas fireplace heaters.

Input (BTU) - MV & Electronic		
Natural (NG) & Propane (LP) Gas		
Models	Fuel	Input Rate (BTU / HR)
SDDV-35	NG	27,000 (21,000 Low)
	LP	27,000 (20,700 Low)
SDDV-40	NG	30,000 (23,500 Low)
	LP	30,000 (24,200 Low)

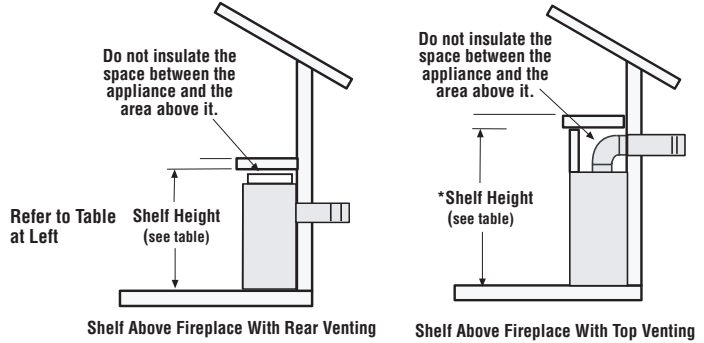
* The Steady State Efficiency numbers based on maximum vent configuration.

Shelf Height

Model No.	Shelf Height Min. Clearance			
	Top Vent - One 90° Elbow		Rear Vent - Straight Out Back	
	Secure Vent	Secure Flex	Secure Vent	Secure Flex
SDDV-30	*53-3/8 (1356)	*55-1/8 (1400)	40-1/4 (1022)	40-1/4 (1022)
SDDV-40	*53-3/8 (1356)	*55-1/8 (1400)	40-1/4 (1022)	40-1/4 (1022)

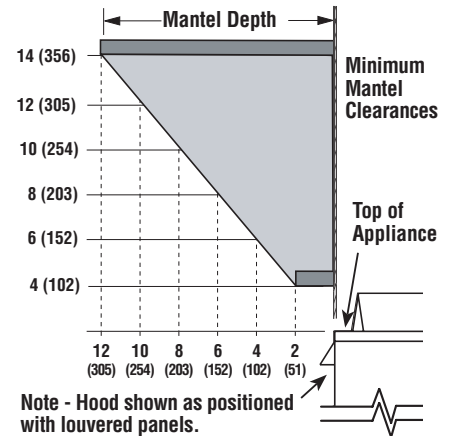
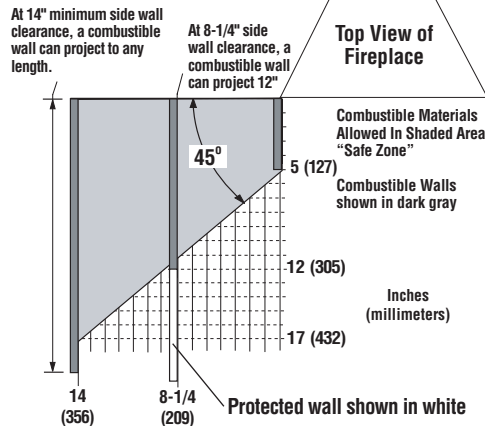
* Includes 3" clearance to combustibles (required above vent components)

Shelf Height Minimum Clearances



Clearances

Minimum Clearances Inches (millimeters)	
Back	1/2 (13) - 0 (0) Spacers
Sides	1/2 (13) - 0 (0) Spacers
Top Spacers	0 (0)
Floor	0 (0)
Bottom of Appliance To Ceiling	64 (1626)
Vent	3 (76) Top * - 1 (25.4) Sides & Bottom
Service Clearances - Feet (meters)	
Front	3 ft. (0.9 m)



Venting Requirements

