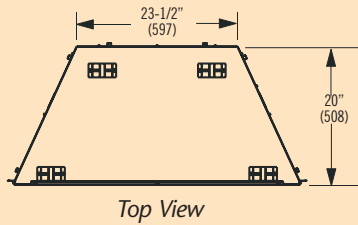




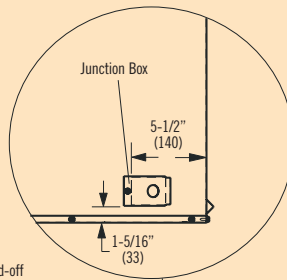
The Superior® UVF-36 Vent-Free Universal Firebox offers a large opening in a “clean-face”, louverless look that complements current trends in home design.



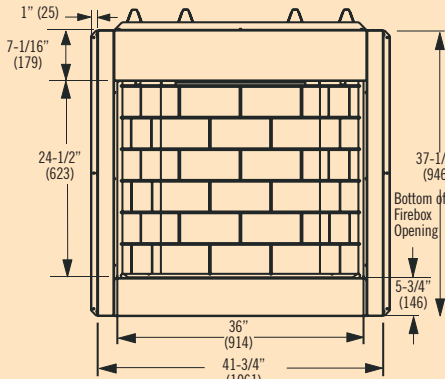
DIMENSIONS



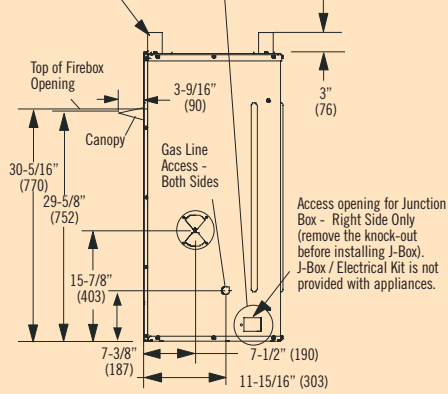
Top View



Top Stand-off Spacers (4 places)



Front View



Right Side View



UVF-36

STANDARD FEATURES

Traditional pattern brick liner (back and sides) offers custom masonry look

Charcoal finish canopy

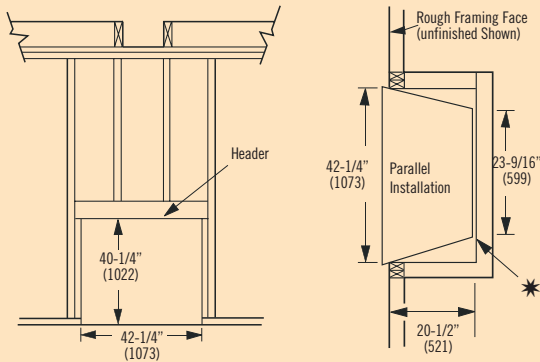
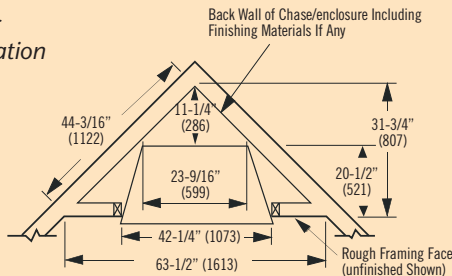
Mesh draw screens

Durable charcoal powder coat finish

Easy gas line access with knockouts on both sides

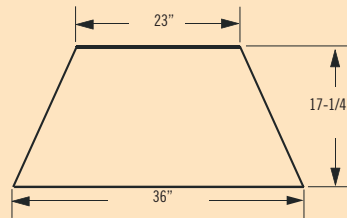
FRAMING DIMENSIONS

Corner Installation



* Back Wall of Chase/Enclosure Including Finishing Materials If Any

HEARTH DIMENSIONS



UVF-36

OPTIONAL ACCESSORIES

Forced air blower kit

Decorative mesh screen door (Textured Iron finish shown in cover photo)

Outside air kit

Wall switch

Junction box (required for forced air blower kit)

Cover photo: UVF-36 shown with optional decorative mesh screen door and VFGL-24-4 gas logs

NOTE: Diagrams and illustrations are not to scale and should not be used for framing purposes – consult installation instructions. Product designs, materials, dimensions, specifications, colors and prices subject to change or discontinuance without notice.

LISTING: These Universal Vent-Free (built-in) Fireboxes have been tested and listed as Ventless Firebox Enclosures for Gas-Fired Unvented Decorative Room Heaters to ANSI Z21.91.

APPROVED GAS LOGS: These appliances are listed for use ONLY with Vent-Free Gas Log Room Heaters listed to ANSI Z21.11.2 which have an input not to exceed 40,000 BTU/Hr.