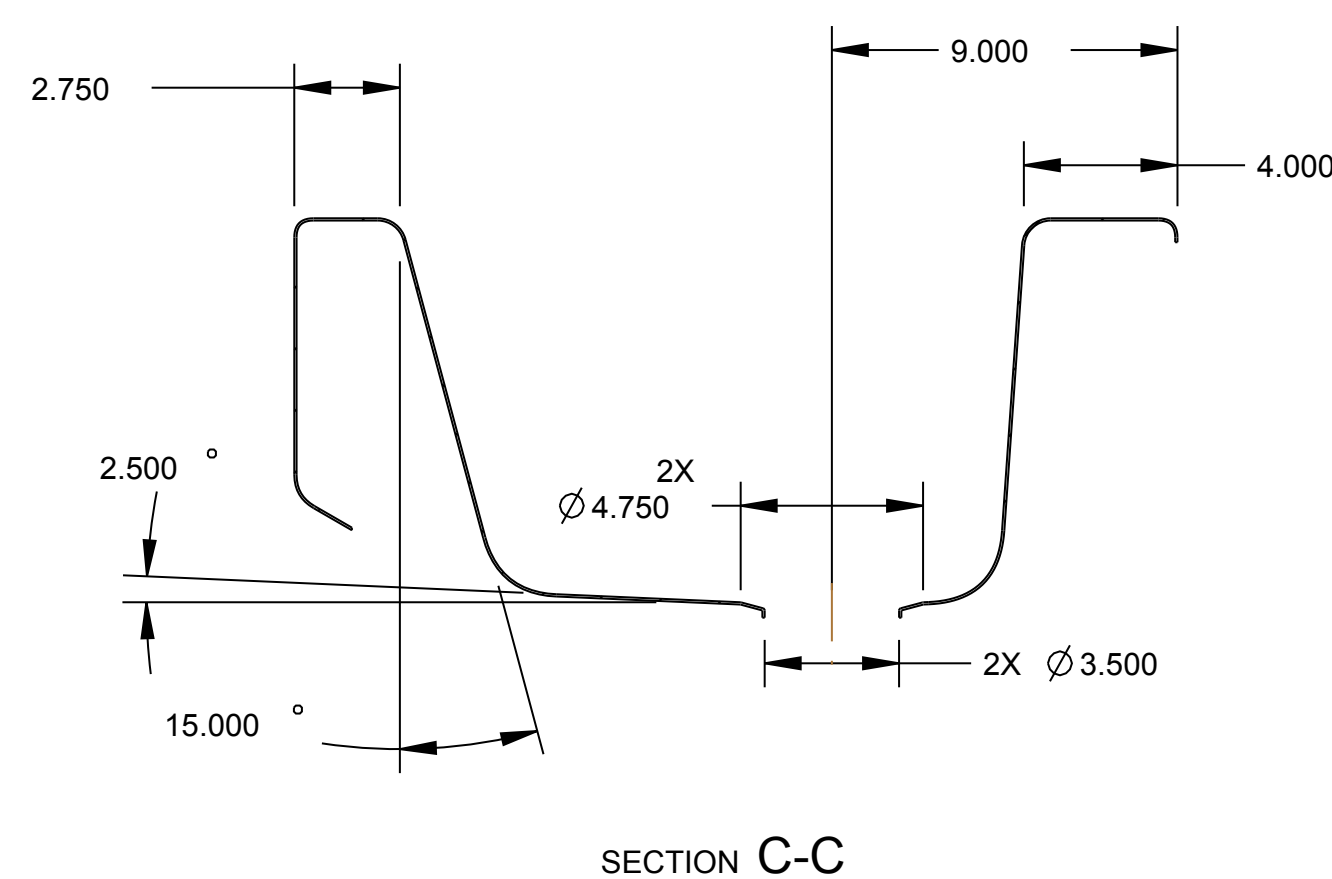
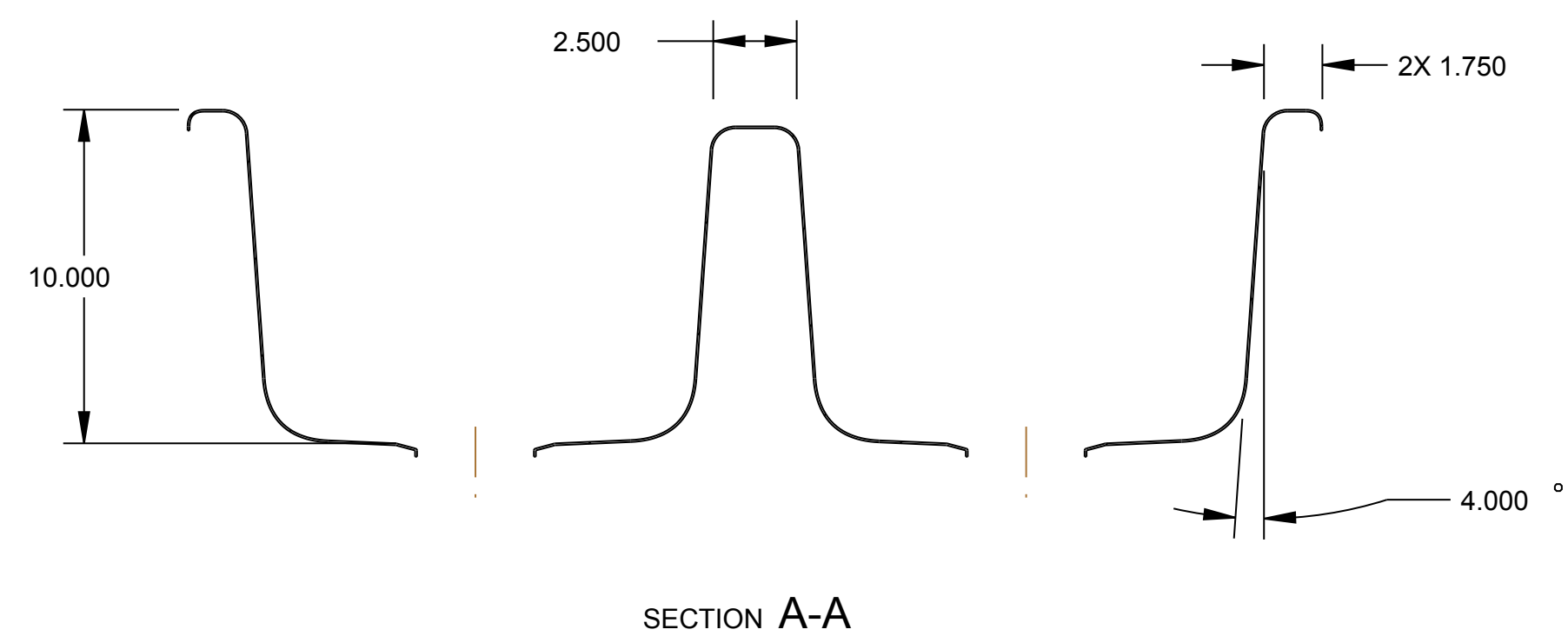
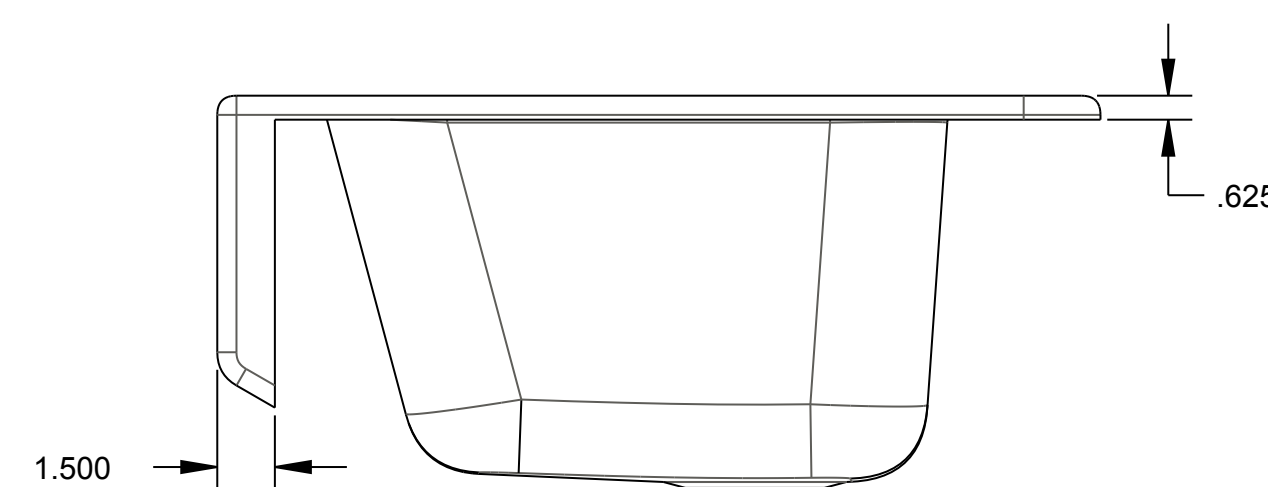
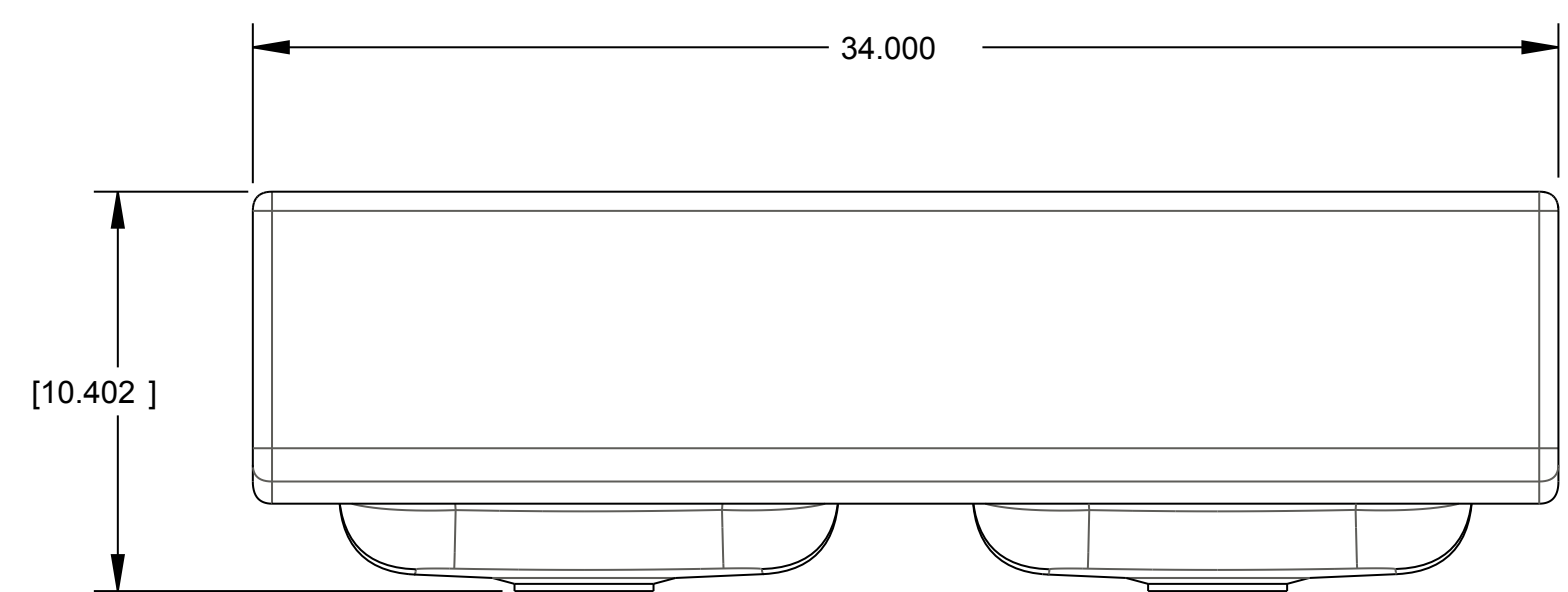
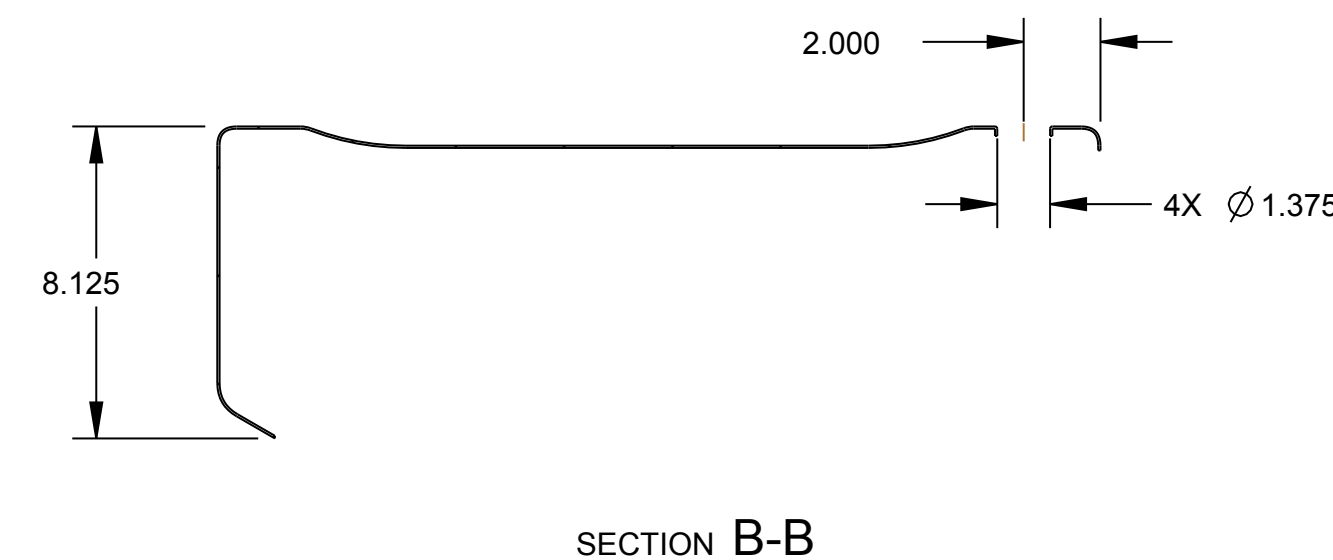
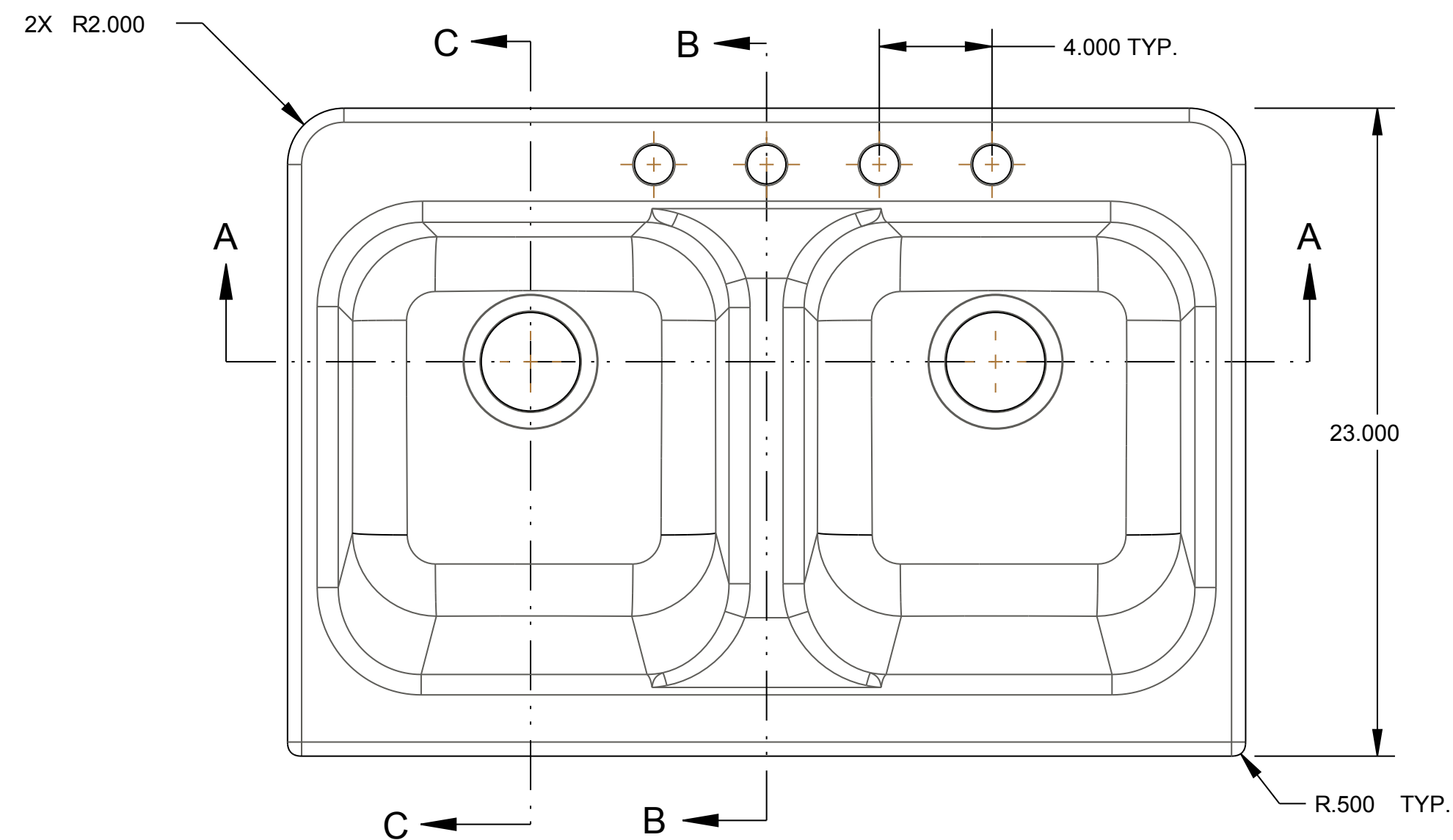


ECO #	REV	REVISION DESCRIPTION	BY	DATE	CHK
	A	INITIAL RELEASE	JJS	2/19/07	JB



Lyons INDUSTRIES, INC.
DOWAGIAC, MICHIGAN

DO NOT SCALE DRAWING

TOLERANCES:
 X = ± 0.1
 XX = ± 0.01
 XXX = ± 0.001

ANGLES:
 ° = ± 0.5

PROPRIETARY AND CONFIDENTIAL
DO NOT COPY

TITLE: **APRON SINK, 23 X 34**

DRAWING/PART NUMBER: **KSxxAS-3.5** SCALE: **0.20**

ENGINEER/DRAWN BY: **JJS** 2/19/07 MATERIAL: _____
 CHECKED BY: **JB** 2/19/07 FINISH: _____

SHT 1 OF 2 DIMENSIONING & TOLERANCING PER: ASME Y14.5M-1994 SIZE: **D**

THIS DRAWING OR DOCUMENT, AND THE INFORMATION CONTAINED HEREIN AND IN ALL DOCUMENTS RELATED HERETO, IS THE SOLE AND EXCLUSIVE PROPERTY OF LYONS INDUSTRIES, INC. AND/OR THE CUSTOMER(S) NAMED HEREIN, AND SHALL BE CONSIDERED THE TRADE SECRETS BELONGING TO LYONS INDUSTRIES, INC. AND/OR ITS CUSTOMER(S). ALL PERSONS HAVING CONTROL OR POSSESSION OF THIS DRAWING OR DOCUMENT SHALL KEEP IT AND ITS CONTENTS CONFIDENTIAL AND SHALL NOT USE, MODIFY OR REPRODUCE THE DRAWING OR DOCUMENT WITHOUT THE EXPRESS WRITTEN CONSENT OF LYONS INDUSTRIES, INC. AND/OR ITS CUSTOMER(S).

JOB NO.: DWG NAME: KS AS 3