

MH 15[®]

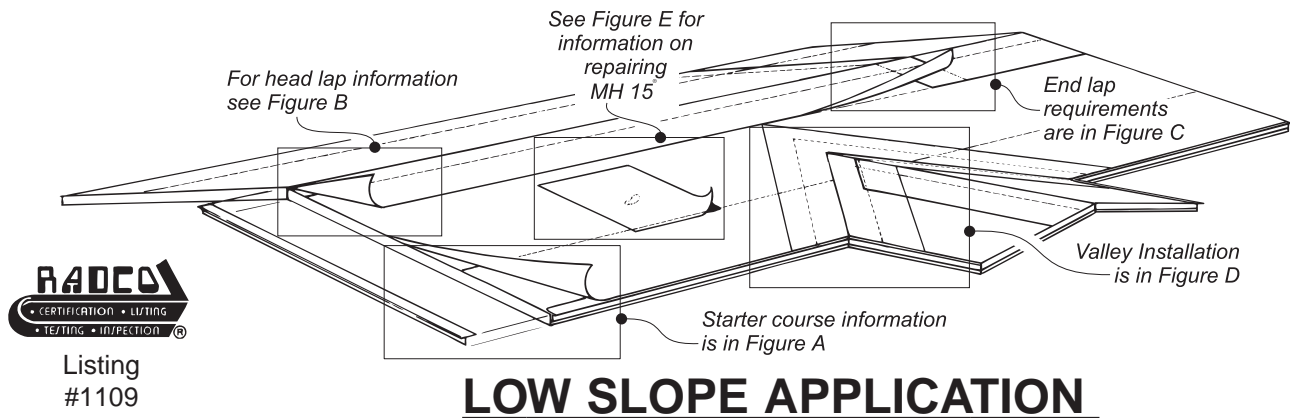
ASPHALT SATURATED ROOF UNDERLAYMENT

MANUFACTURED EXCLUSIVELY FOR THE MANUFACTURED HOUSING INDUSTRY

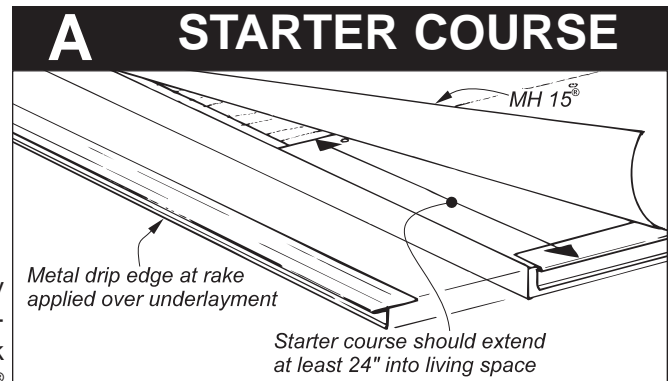
Page 1
of 2

A GUIDE TO INSTALLATION

AFTER COMPLETION OF THE WOOD DECK OR PLYWOOD DECK, THE FOLLOWING PROCEDURE SHOULD BE FOLLOWED IN ORDER TO ACHIEVE THE SATISFACTORY RESULTS THAT ARE DESIGNED INTO MH 15[®] ROOF UNDERLAYMENT.



Apply metal eave drip on deck. Apply the starter course of MH 15[®] underlayment, either side up, on the roof deck flush with drip edge of metal eaves strip extending a minimum of 24" into the living space. Fasten this starter course on approximately 18" centers to hold in place. (see Figure A)

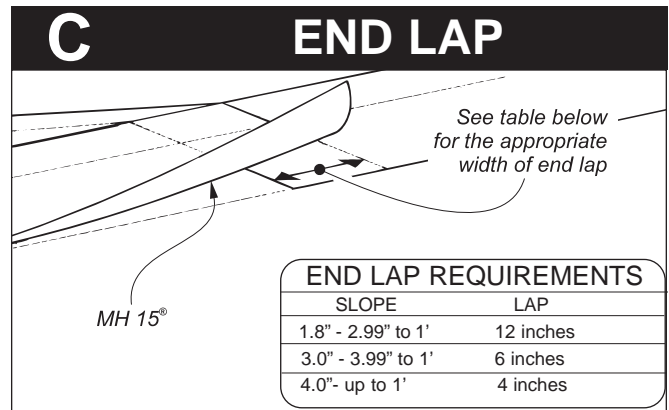
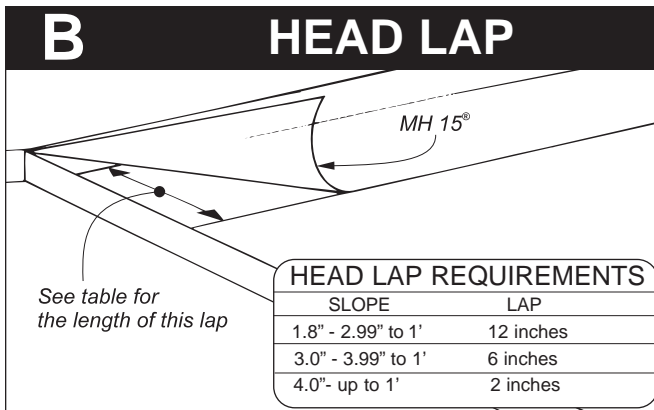


COLD WEATHER APPLICATIONS

Roofing cement is required whenever the January daily average temperature is 25°F or less, where there is a possibility of ice forming along the eaves and causing a back up of water. Apply the succeeding courses of MH 15[®] over the starter course and remaining roof using only enough fasteners to hold it in place. Apply metal rake drip edge over the MH 15[®] underlayment if required. (see Figure A)

NOTE: When the home is shipped into areas where the January daily average temperature is above 26°F, you may (a) eliminate the roofing cement on the starter strip or (b) not use a starter strip unless required by the shingle manufacturer's application instructions.

In case of a joint in MH 15[®], overlap at the head and end laps per tables below



VALLEY AREA APPLICATION

Install **MH 15**[®] from rake toward intersecting valley, applying it so as the valley underlayment overlaps the base underlayment by a minimum of 8 inches. Install the valley underlayment in accordance with the roofing manufacturers instructions. If the roofing manufacturer is not specific on this procedure, use the most current **Asphalt Roofing Manufacturers Association** instructions. Refer to the chapters that cover open, woven and closed cut valleys.

REPAIRING MH 15[®]

If patching and/or repairs of **MH 15**[®] is necessary, the following is recommended: using roof cement, apply a patch of **MH 15**[®] extending a minimum of 12" beyond the outer edges of the damaged area. Place the patch directly over the damaged area.

VENTILATION

All attic or crawl spaces between the ceiling and the roof deck must be well ventilated to prevent condensation on the underside of **MH 15**[®]. Condensation could result in damage to the roof deck and the home's interior. During cold weather construction, a positive air circulation must be maintained to keep moisture from being trapped inside the attic area.

Without proper ventilation, moisture from cooking, baths, plants or air conditioning will rise with the warm air and condense when it reaches the cold roof sheathing. The result is possible damage no matter what type of roof covering is used. Installation of eave and/or roof vents or louvers of sufficient size placed high in gables should assure adequate air circulation and ventilation.

ROOFING

Apply the roof covering (...shingles, etc.) according to the manufacturers instructions. Usually refer to the bundle or package label for these instructions.

WARRANTY:

Fortifiber Building Products Systems warrants that its products will perform to their published specifications when used in applications recommended by Fortifiber and installed according to accepted industry standards and Fortifiber's installation procedures. For a statement of manufacturer's warranty including disclaimers contact our Technical Assistance at 1-800-773-4777.



Corporate Headquarters
1001 Tahoe Boulevard
Incline Village, NV 89451
(800) 443-4079 Tel
(702) 833-6151 Fax

Building Products H.Q.
300 Industrial Drive
Fernley, NV 89408
(800) 773-4777 Tel
(702) 575-4995 Fax

Attleboro, MA 02703
55 Starkey Avenue
(800) 343-3972 Tel
(508) 222-8831 Fax

Los Angeles, CA 90023
4489 Bandini Boulevard
(800) 332-5727 Tel
(213) 264-8247 Fax

#SG0698-1
Issued 3/9/00



Listing #1109

